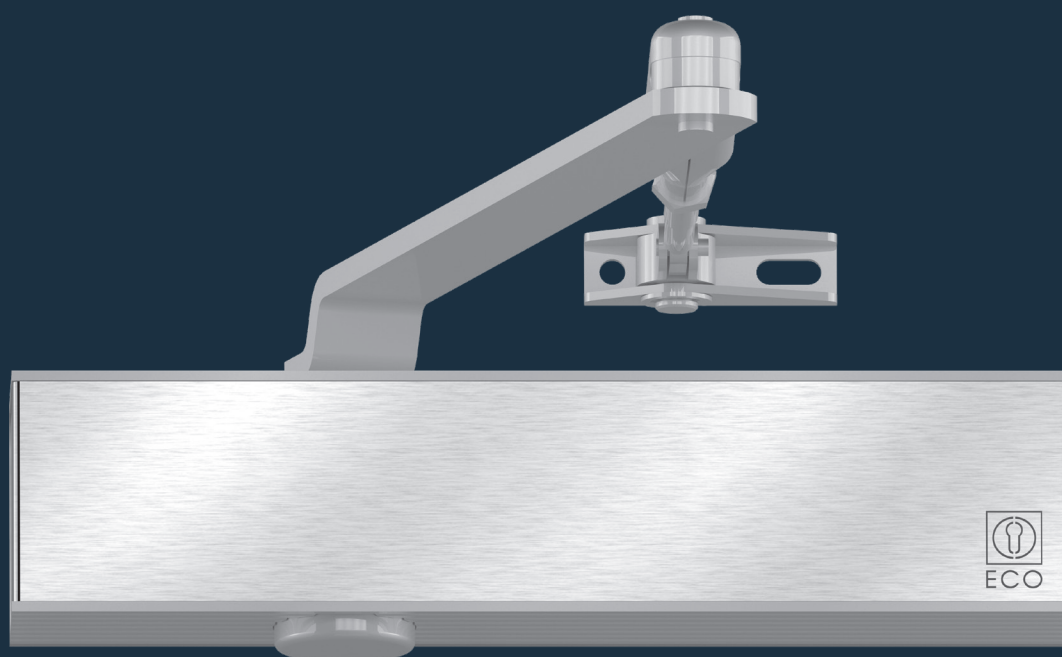


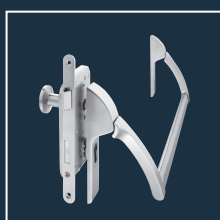
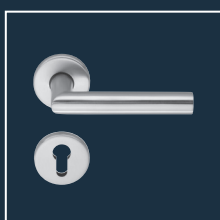
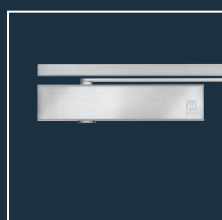
ECO **Newton** TS-20



## Product information



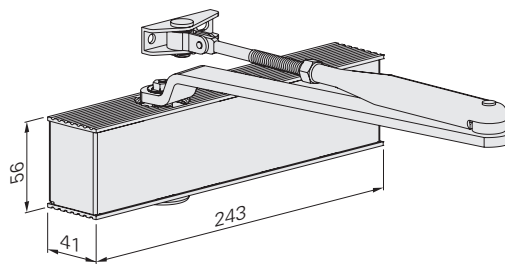
### ■ SYSTEM TECHNOLOGY FOR THE DOOR



**Product characteristics**

Closing force (stepwise adjustable)	Size acc. to EN	2/3/5
Door width	acc. to EN $\leq 1.250$ mm	■
Dimensions (incl. mounting plate)	Length in mm	243
	Depth in mm	41
	Height in mm	56
Mounting plate acc. to <b>EN 1154</b> (supplementary sheet 1)		□
Hinge side and hinge-opposite side		■
DIN left / right		■
Back-check (constant)		■
Latching speed (continuously adjustable)		■
Closing speed (continuously adjustable)		■
Delayed action (continuously adjustable)		-
Tested acc. to EN		<b>EN 1154</b>
Suitable for fire- and smoke control doors		<b>F</b>
Certified according to EU-Directive		<b>CE</b>

- Yes
- No
- Option



Dimensions: TS-20



**ECO Newton TS-20 ■ Highlights at a glance**



\*optional

Details regarding the ECO Newton Highlights can be found in the intro of this chapter.



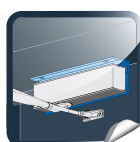
Body: Silver RAL 9006  
ECOcllic: Stainless steel polished or satin

Body + ECOcllic: White RAL 9016

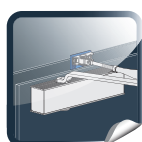
Body + ECOcllic: Black RAL 9005

Body + ECOcllic: Brown RAL 8014

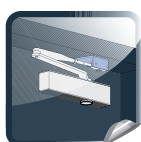
The standard arm is always delivered in the same colour as the ordered door closer body.



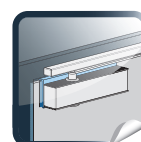
Under-lintel angle for door closer



Adaptor profile



Angle bracket for parallel arm



Glass clamping device

# Order information

## ECO **Newton** TS-20 ▪ Door closer with standard arm

### Product information

Closing force 2 / 3 / 5, tested acc. to **EN 1154** (for door widths up to 1.250 mm) adjustable by moving the door closer. Latching speed and closing speed continuously adjustable. Back-check constant. Same version DIN left and DIN right. Mounting height only 41 mm. Weight: 1.320g. Max. door opening angle: 180°

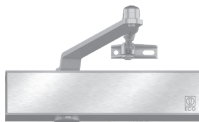
- ECOunity: The ECO **Newton** closer portfolio covers all door dimensions with only two basic closer units.
- ECOcllic: The stainless steel cover encloses the aluminium body with the power of spring steel and conceals all of the adjusting elements, thus securing the closer against unauthorized access.
- ECOvalve: Simple, high-precision and permanently secure adjustment of all parameters of the closing process with one conventional Allen key.
- ECOcover<sup>2</sup>: Optional stainless steel cover for the ECO **Newton** door closers.
- ECOgreen: The intelligent construction and carefully planned use of materials help considerably to save resources

Hinge side: standard mounting on the door leaf. Hinge-opposite site: head mounting on door frame.

### New packaging:

TS-20 Standard: (Standard mounting set) incl. door closer body, standard arm, paper template and fixing material.  
 TS-20 DIN: (Mounting acc. DIN holes) Set with door closer body, standard arm, incl. mounting plate, mounting instructions, paper template and fixing material.

### Article numbers

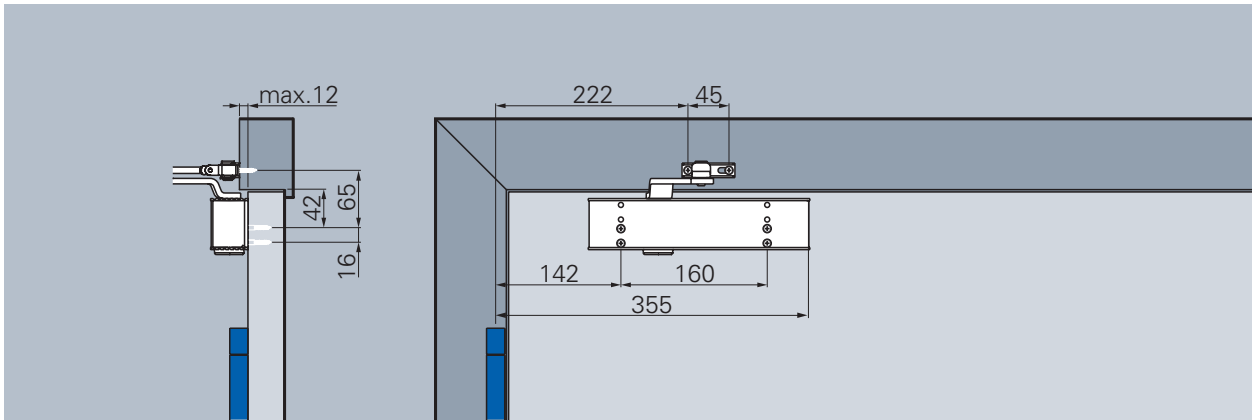


Door closer with standard arm, without mounting plate	Colour	Article number	Door closer with standard arm, incl. mounting plate	Colour	Article number
TS-20 Standard (2/3/5)	Silver RAL 9006*	302052F11A71010	TS-20 DIN (3/5)	Silver RAL 9006*	302052F11A71090
TS-20 Standard (2/3/5)	White RAL 9016	302052F11E71010	TS-20 DIN (3/5)	White RAL 9016	302052F11E71090
TS-20 Standard (2/3/5)	Brown RAL 8014	302052F11D71010	TS-20 DIN (3/5)	Brown RAL 8014	302052F11D71090
TS-20 Standard (2/3/5)	Black RAL 9005	302052F11G71010	TS-20 DIN (3/5)	Black RAL 9005	302052F11G71090

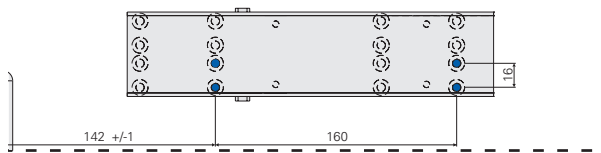
\*Door closer body in silver RAL 9006, ECOcllic in stainless steel satin, polished on request

# Hinge side

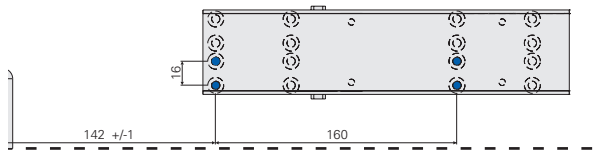
Illustration DIN left door, DIN right laterally reversed



Standard mounting, hinge side (with mounting plate, DIN-holes)

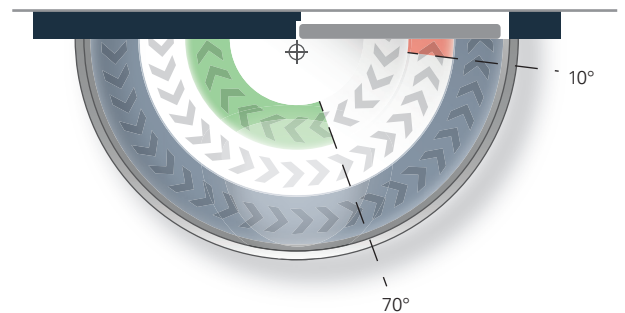


**Closing force EN 3**



**Closing force EN 5**

Closing force diagram ECO Newton TS-20, hinge side



**Closing speed**

Continuously adjustable closing speed from approx. 180° to 0°

**Latching speed**

Increases the closing speed and thus the safe closing of the door, for example to overcome door seals, door locks and high air pressure. Continuously adjustable, works between 10 to 0°

**Back-check (constant)**

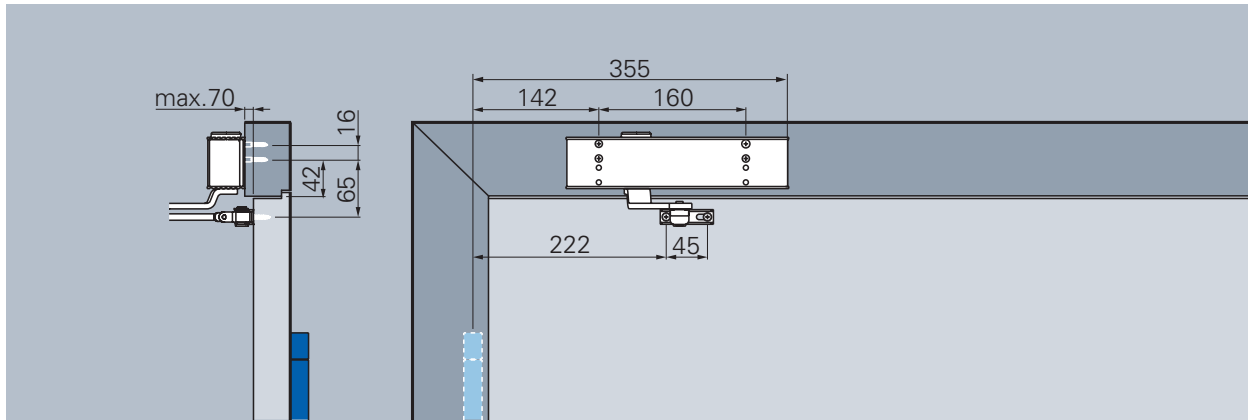
Reduces the opening speed starting at 70° and avoids the slamming of the door. Back-check fixed

**Closing forces**

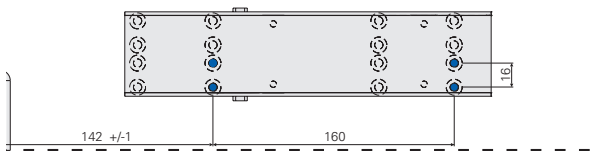
The closing forces 3 or 5 are reached by moving the door closer on the mounting plate. Additional drilling is not necessary.

# Hinge-opposite side

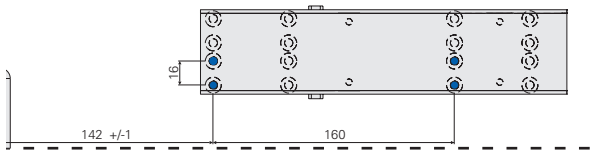
Illustration DIN right door, DIN left laterally reversed



Head mounting, hinge-opposite side (with mounting plate, DIN-holes)

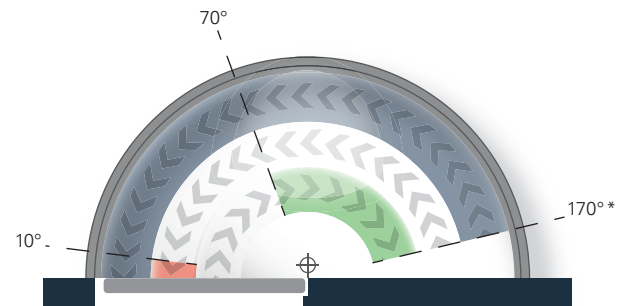


Closing force EN 3



Closing force EN 5

Closing force diagram **Newton TS-20**, hinge-opposite side



- **Closing speed**  
 Continuously adjustable closing speed from approx. 170°\* to 0°
- **Latching speed**  
 Increases the closing speed and thus the safe closing of the door, for example to overcome door seals, door locks and high air pressure. Continuously adjustable, works between 10 to 0°
- **Back-check (constant)**  
 Reduces the opening speed starting at 70° and avoids the slamming of the door. Back-check fixed

## Closing forces

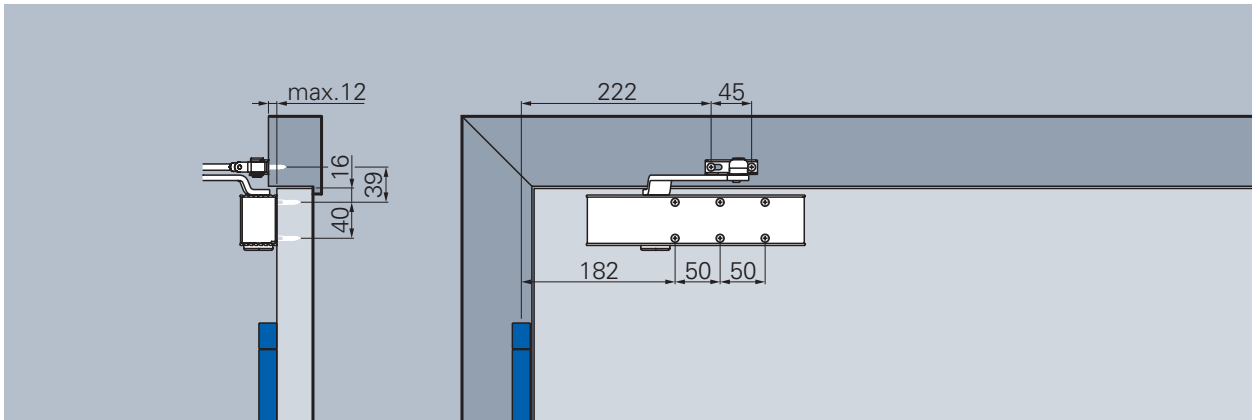
The closing forces 3 or 5 are reached by moving the door closer on the mounting plate. Additional drilling is not necessary.

\*Varies according to door thickness and type of hinge

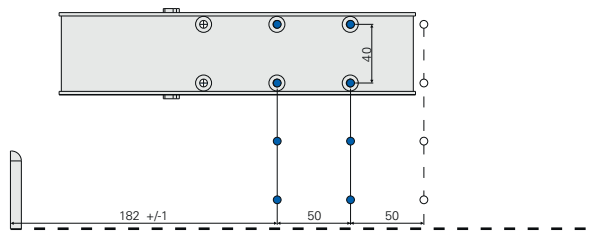
**A door stopper for opening limit is a must!**

# Hinge side

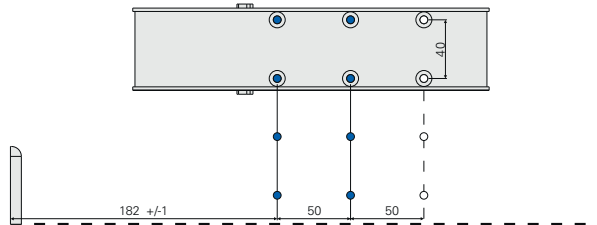
Illustration DIN left door, DIN right laterally reversed



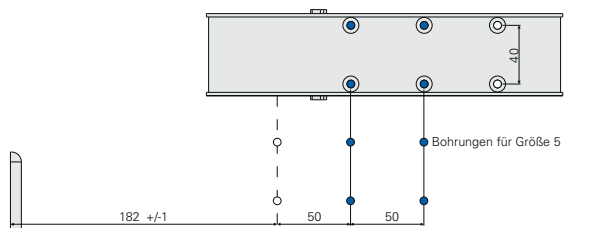
Standard mounting, hinge side (direct mounting, without mounting plate)



**Closing force EN 2**



**Closing force EN 3**

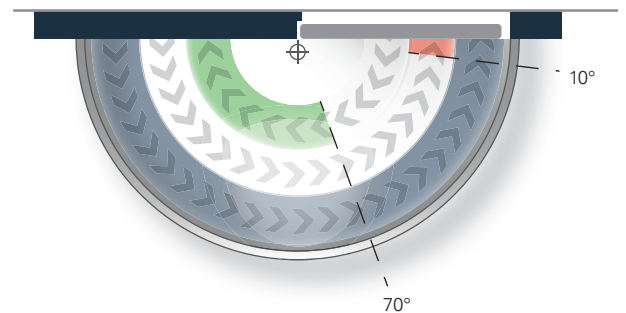


**Closing force EN 5**

## Closing forces

The different sizes are reached by moving the door closer on the door leaf. Additional drilling only necessary for size **EN 5**.

Closing force diagram ECO **Newton TS-20**, hinge side



## Closing speed

Continuously adjustable closing speed from approx. 180° to 0°

## Latching speed

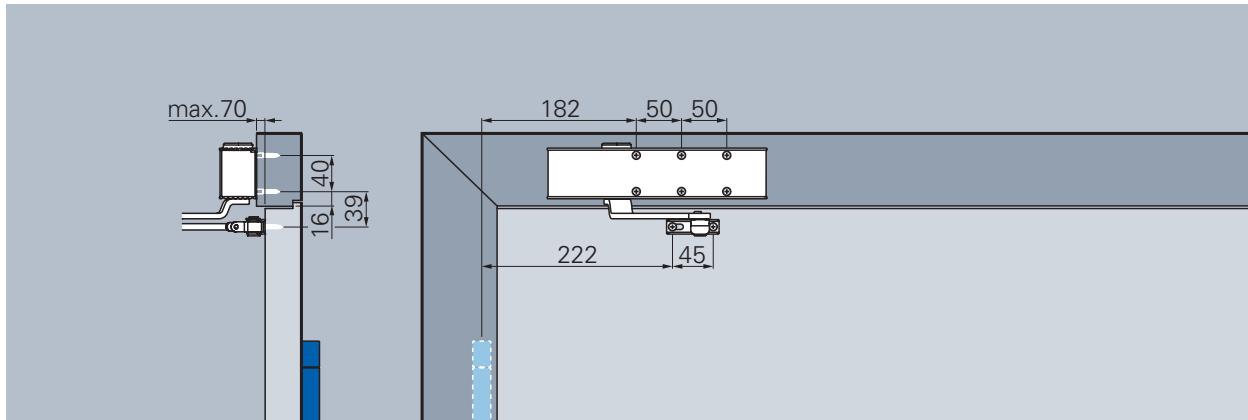
Increases the closing speed and thus the safe closing of the door, for example to overcome door seals, door locks and high air pressure. Continuously adjustable, works between 10 to 0°

## Back-check (constant)

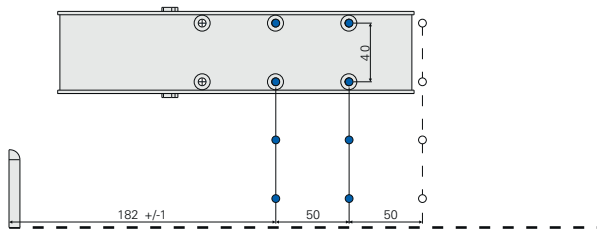
Reduces the opening speed starting at 70° and avoids the slamming of the door. Back-check fixed

# Hinge-opposite side

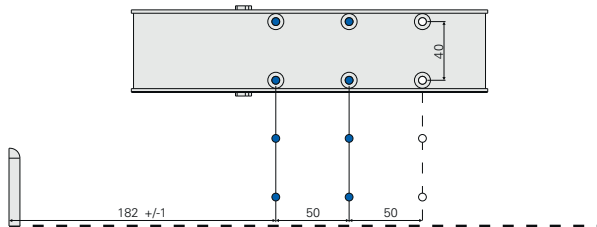
Illustration DIN right door, DIN left laterally reversed



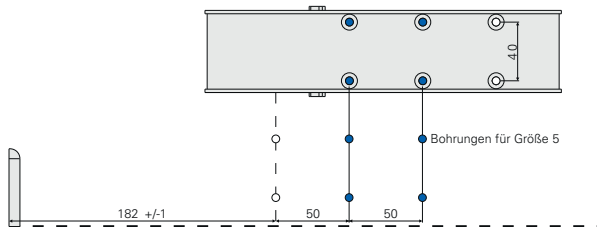
Head mounting, hinge-opposite side (direct mounting, without mounting plate)



**Closing force EN 2**



**Closing force EN 3**

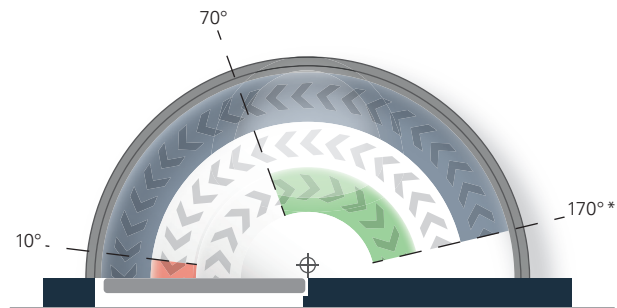


**Closing force EN 5**

**Closing force**

The different sizes are reached by moving the door closer on the door leaf. Additional drilling only necessary for size EN 5.

Closing force diagram **Newton TS-20**, hinge-opposite side



**Closing speed**

Continuously adjustable closing speed from approx. 170°\* to 0°

**Latching speed**

Increases the closing speed and thus the safe closing of the door, for example to overcome door seals, door locks and high air pressure. Continuously adjustable, works between 10 to 0°

**Back-check (constant)**

Reduces the opening speed starting at 70° and avoids the slamming of the door. Back-check fixed

**Note!:**

**Back-check out of order for head-mounting / mounting on hinge-opposite side**

\*Varies according to door thickness and type of hinge

**A door stopper for opening limit is a must!**

ECO Schulte GmbH & Co. KG  
Iserlohner Landstraße 89  
D - 58706 Menden

Telefon: +49 2373/9276-0  
Fax: +49 2373/9276-40

[info@eco-schulte.de](mailto:info@eco-schulte.de)  
[www.eco-schulte.de](http://www.eco-schulte.de)

© ECO Schulte GmbH & Co. KG - Änderungen vorbehalten  
© ECO Schulte GmbH & Co. KG - Subject to change