

## Hinge with elbow for folder shutters



### Description

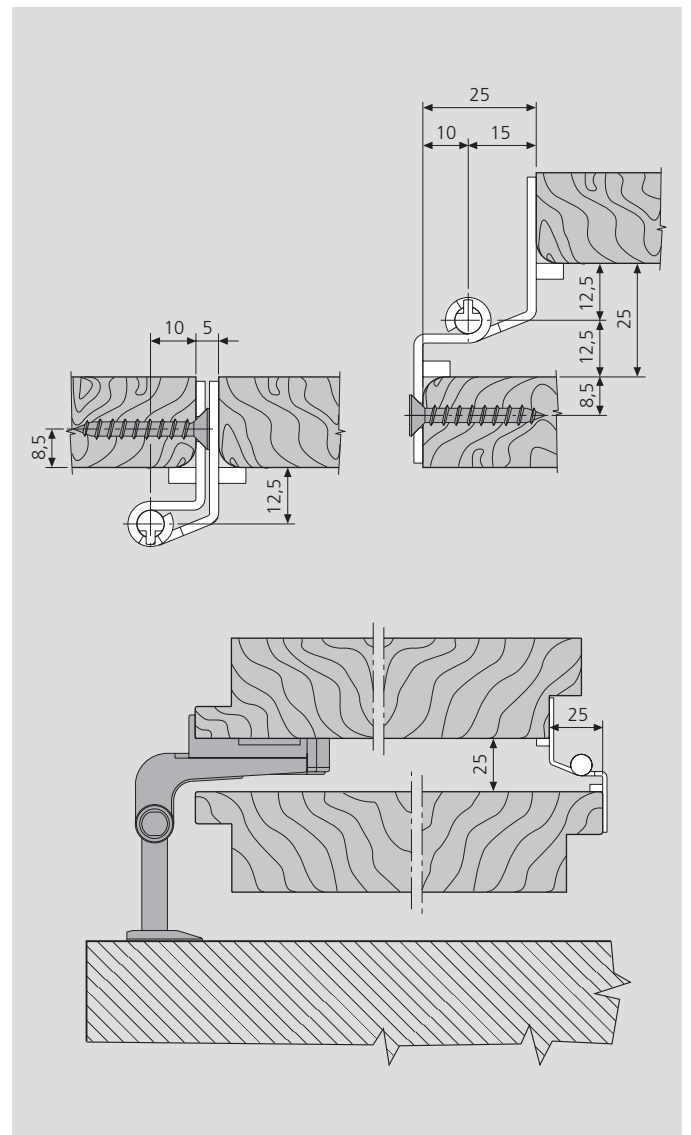
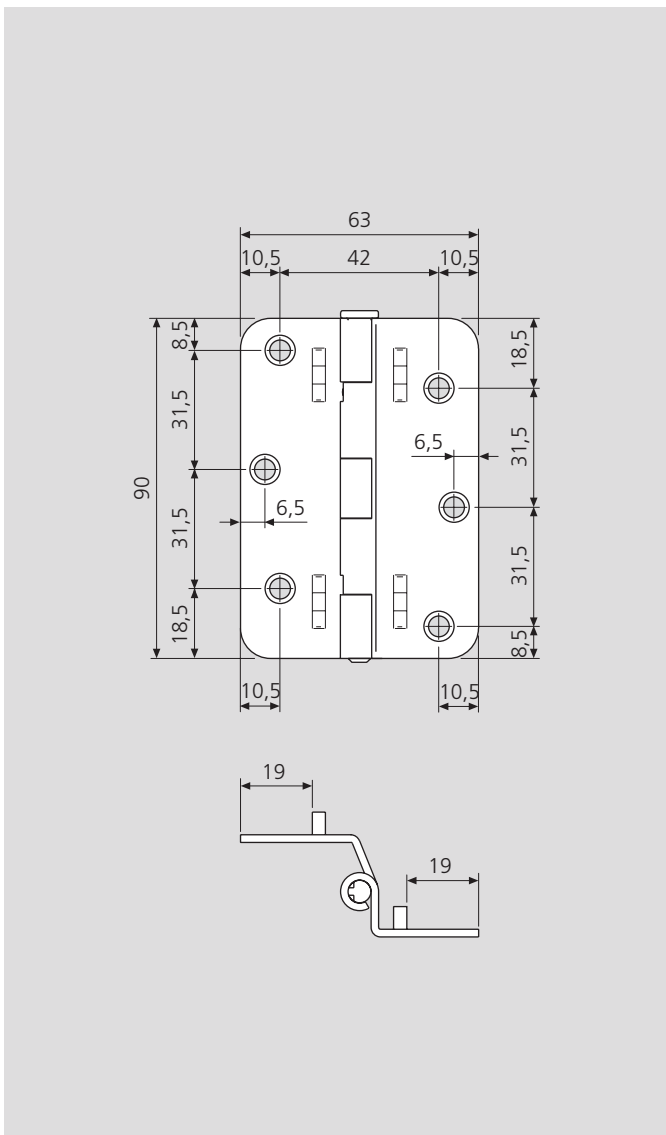
Two-handed full mortise steel hinge with elbow. Projections to guide assembly and non-removable pin.

### Application

For timber, PVCu and aluminium shutters with articulated outward-folding leaves. The hinge must be installed on the rebate, in the gap between the leaves. Distance between the leaves with folded hinge: 5 mm; with open hinge: 25 mm, offset (see installation drawing). To reverse the hinge it is necessary to remove and re-install the pin: to perform this operation the hinge must be folded 90° (open shutter).

### Mounting

Use six 4x30 mm flathead screws with thread suitable for the shutter material.



### Order specifications

#### Black finish

Code

H00951.25.93

#### Bichromated finish

Code

H00951.25.04