

Hinge for folder shutters



Description

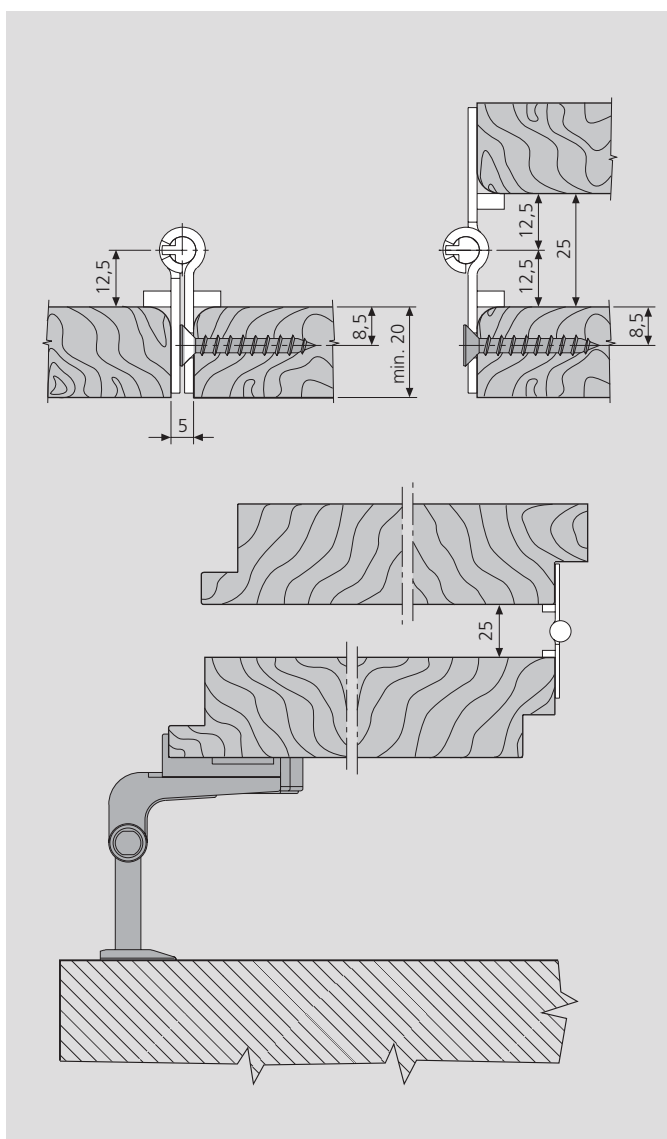
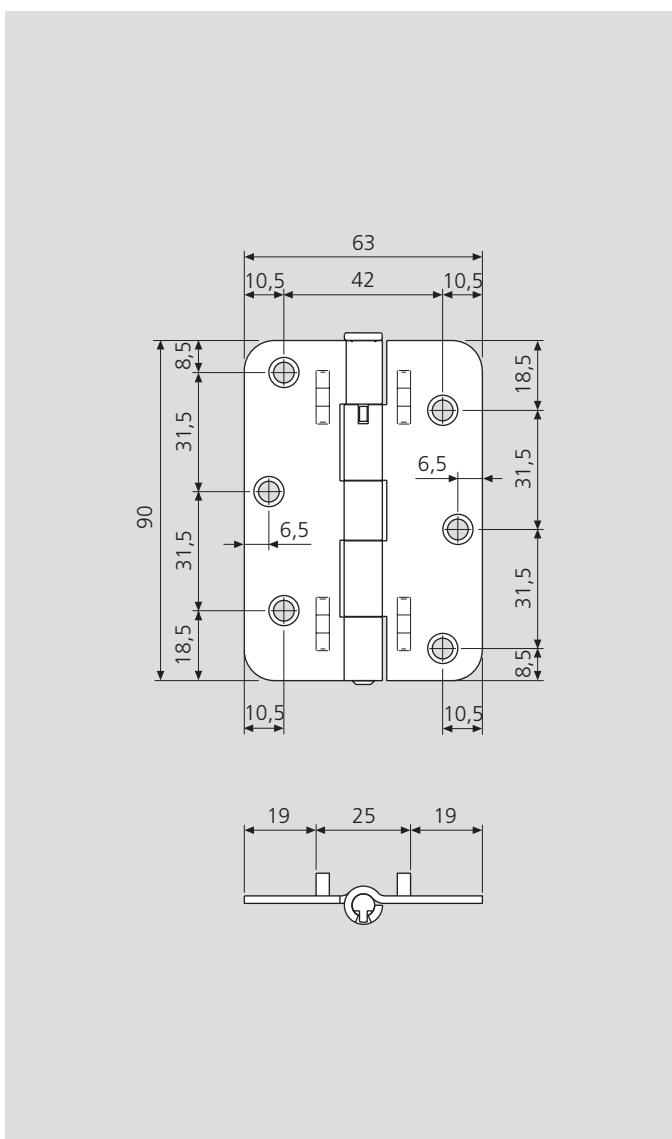
Two-handed full mortise steel hinge with projections to guide assembly and non-removable pin.

Application

For timber, PVCu and aluminium shutters with articulated folding leaves. The hinge must be installed on the rebate, in the gap between the leaves. Distance between the leaves with folded hinge: 5 mm; with open hinge: 25 mm, aligned (see installation drawing).

Mounting

Use six 4x30 mm flathead screws with thread suitable for the shutter material.



Order specifications

Black finish

Code
H00950.25.93

Bichromated finish

Code
H00950.25.04