

Coplanar offset hinge - for corner and vertical brackets



Description

Two-handed coplanar offset hinge with theft-proof removable pin, for corner and vertical brackets.

Application

For multiple-leaf folding shutters fitted with corner or vertical brackets, with the hinge mounted on the outside of the shutter.

To reverse the hinge it is necessary to remove and re-install the pin: to perform this operation the hinge must be folded 90° (open shutter).

- Used in combination with corner brackets, vertical brackets or a compensating shim.

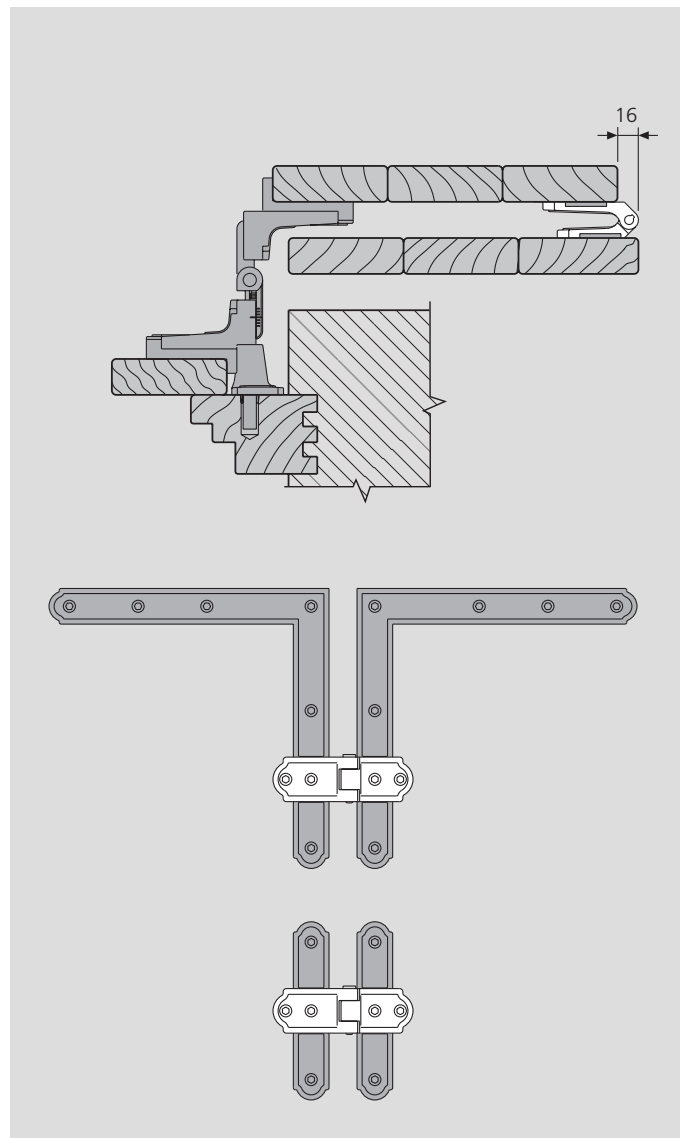
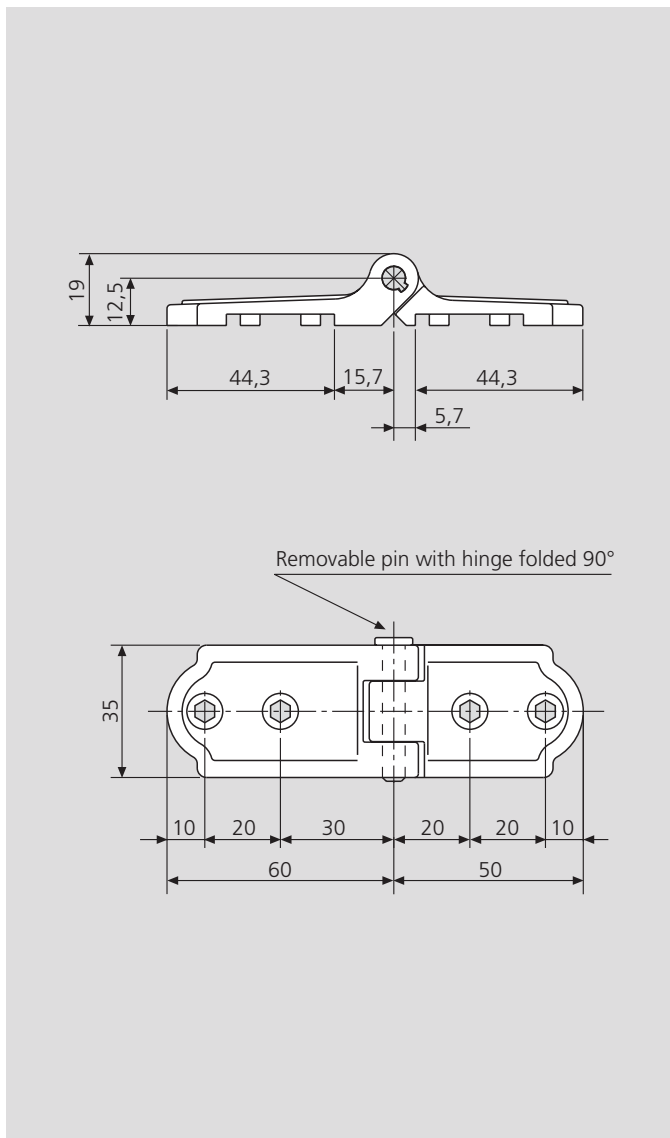
Mounting

Use:

- theft-proof screws; or
- four 4.5 mm screws of appropriate length (matching the thickness of the shutter) and with thread suitable for the shutter material; or
- rivets (for PVCu or aluminium shutters only).

- We recommend the use of theft-proof screws as they ensure greater system steadiness and security.

- For direct attachment of the hinge to the shutter (without any brackets) use the compensating shim art. H00921.00.93.



Order specifications

Black finish

Code
H00931.02.93

Bichromated finish

Code
H00931.02.04