

# Fixed rebated hinge - 16x0 for corner and vertical brackets



**Description**

Two-handed hinge without neck, with wing for installation on the rebate 16 mm from the rotation axis. It can be reversed thanks to a removable self-lubricating plastic bushing.

**Application**

For rebated or overlapped shutters mounted on soffit or on frames that are slightly recessed from the exterior wall, forming a narrow reveal. It must be used in combination with a fixed pintle or with the threaded pintle with plate.

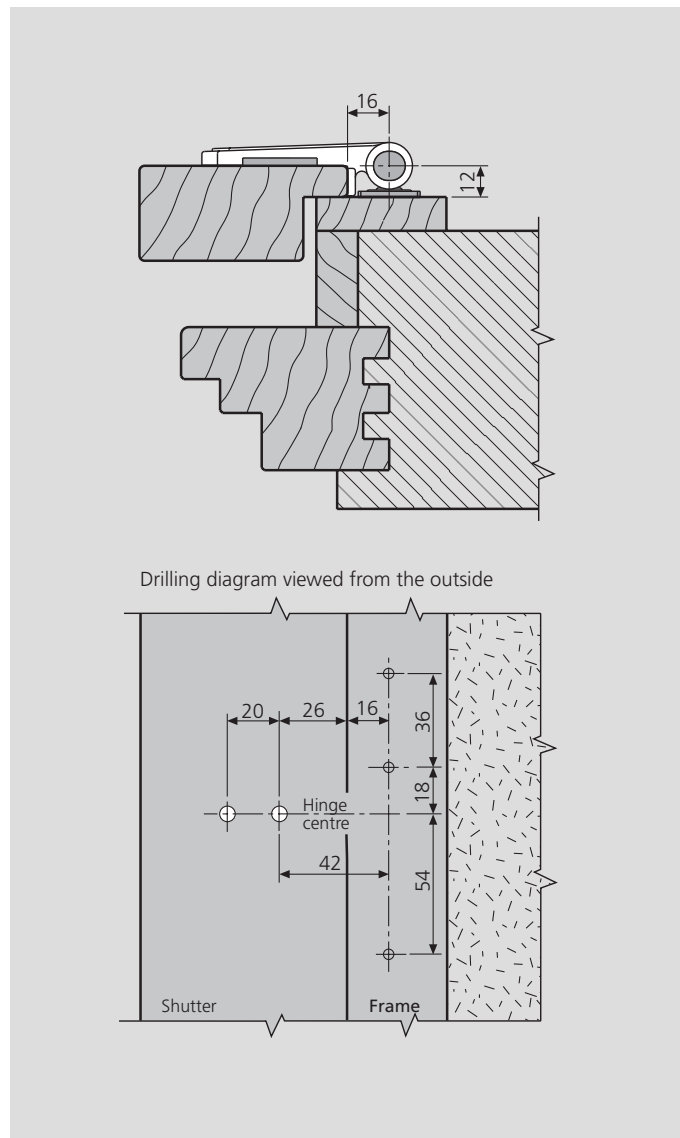
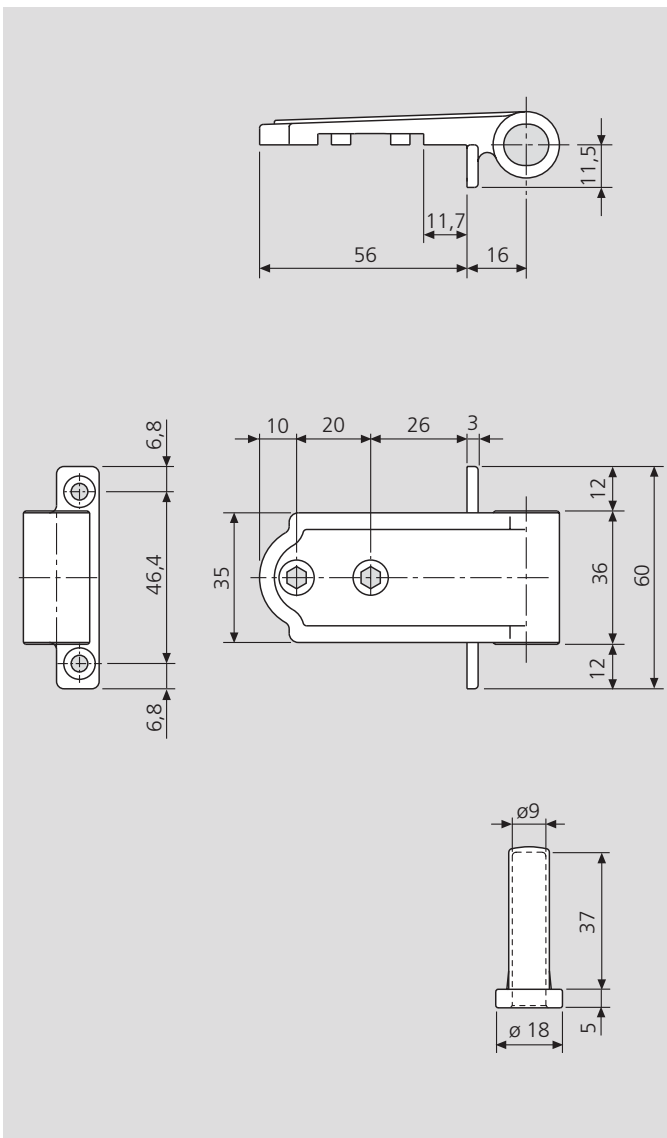
It is not suitable for flush shutters.

It can be connected with corner and vertical brackets, but not with horizontal brackets. It can also be fastened directly to the shutter

using compensating shim art. H00921.00.93.

**Mounting**

Mount the corner or vertical bracket on the shutter and then fasten the hinge using 2 theft-proof screws: this solution ensures greater system steadiness and security. Alternatively, you can use two 4.5 mm screws of appropriate length (matching the thickness of the shutter), with thread suitable for the shutter material. Rivets can be used in case of PVCu or aluminium shutters. Fasten the side wing to the rebate using two 3.5x35 mm screws with suitable thread.



**Order specifications**

**Black finish**

Code  
H00927.00.93

**Bichromated finish**

Code  
H00927.00.04