

## Shims for wall catch



**Description**

5 mm and 15 mm shims, stackable.

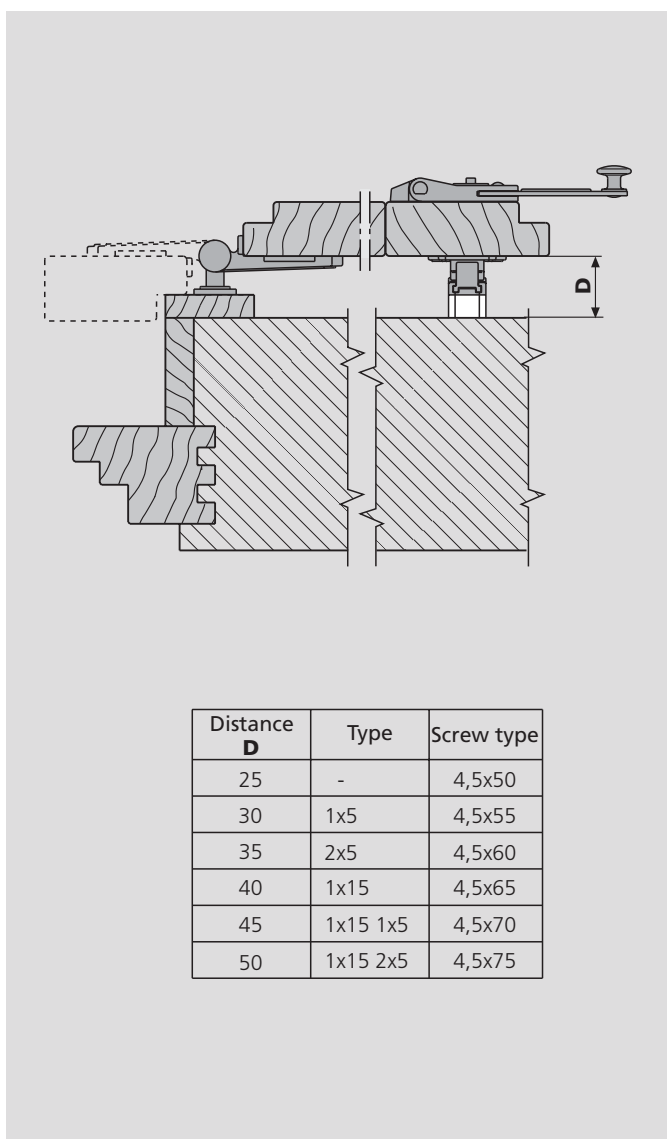
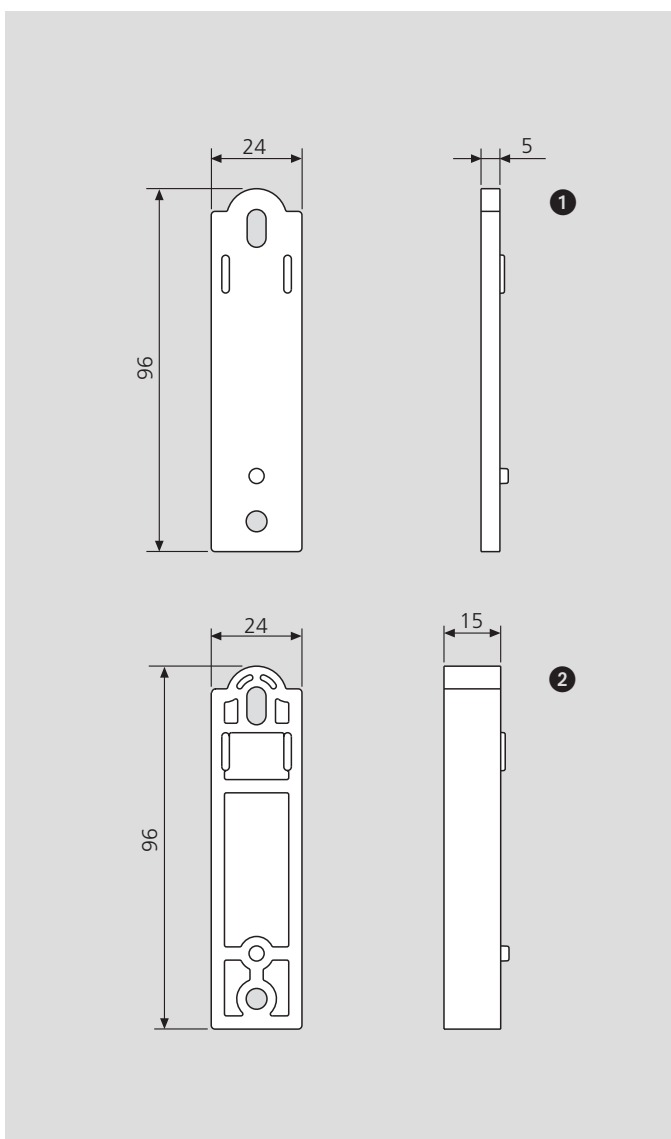
**Application**

For shutters with automatic wall-mounted catch, with a distance of over 25 mm between the 180° open shutter and the wall.

**Mounting**

It must be fitted to the back of the catch.

**NB.** The screws must be chosen based on the shim utilised (see table below).



**Order specifications**

Ref.	Black finish Code
1 5 mm	H00926.02.93
2 15 mm	H00926.01.93