

Wall catch for shutter



Description

Wall-mounted device features automatic engagement to hold shutter open, and manual release. Fitted with a rubber bumper and screw for vertical catch adjustment using a 6 mm Allen wrench, to ensure proper catch operation at all times.

Application

It is especially suitable for door shutters and must be mounted on the stile opposite the one on which the hinges are installed. The reduced dimensions of the strike enable its installation also on the lower rail of window shutters, provided that it can be installed in an accessible position that does not oblige the user to lean out. The minimum distance

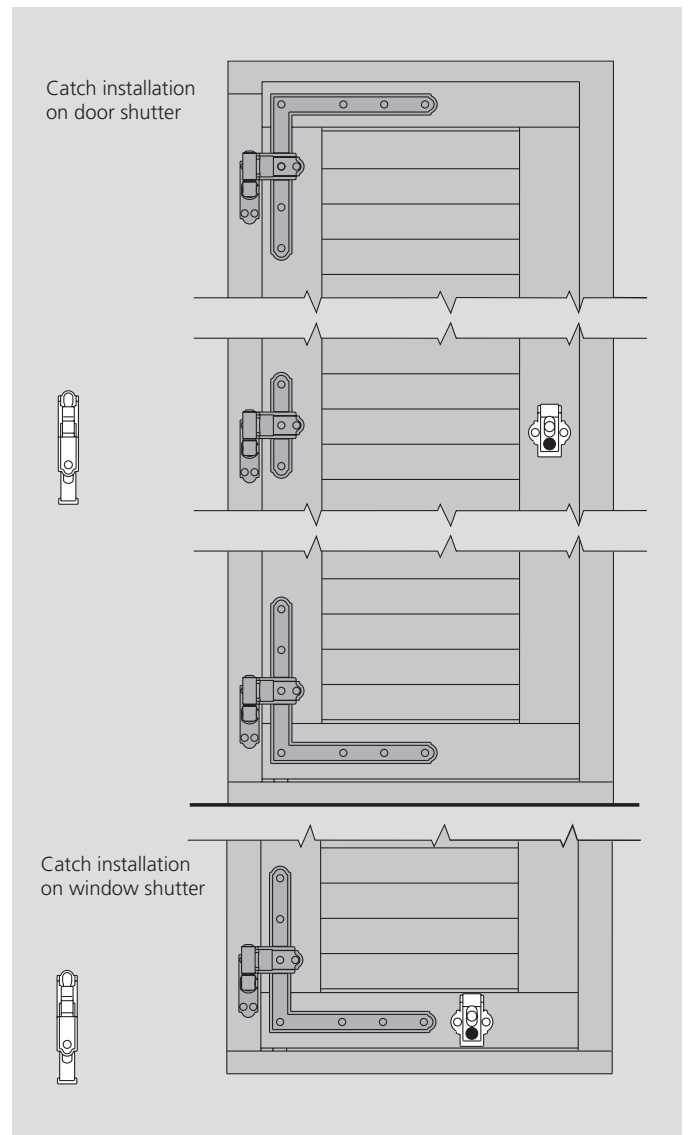
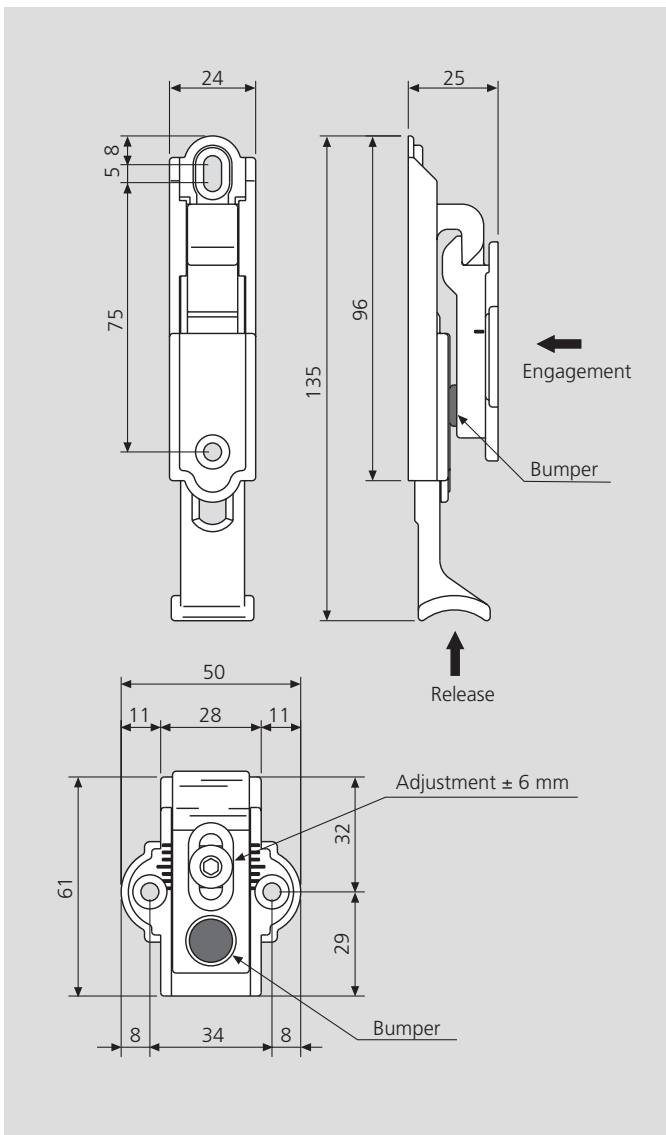
allowed between wall and shutter is 25 mm. 5 and 15 mm stackable shims are available for greater distances.

Mounting

Shutter-mounted strike: use two 4.5x30 mm screws with thread suitable for the shutter material.

Wall-mounted catch: use two 4.5x50 mm screws with 8x40 mm anchors included in the kit. For proper hole positioning use jig art. H00930.03.01.

If shims are used, the length of the screws must be increased proportionally.



Order specifications

	Black finish	Bichromated finish
	Code	Code
	H00926.00.93	H00926.00.04