

Fixed flush hinge - 16x15 for corner and vertical brackets



Description

Two-handed flush hinge with 15 mm neck. It can be reversed thanks to a removable self-lubricating plastic bushing.

Application

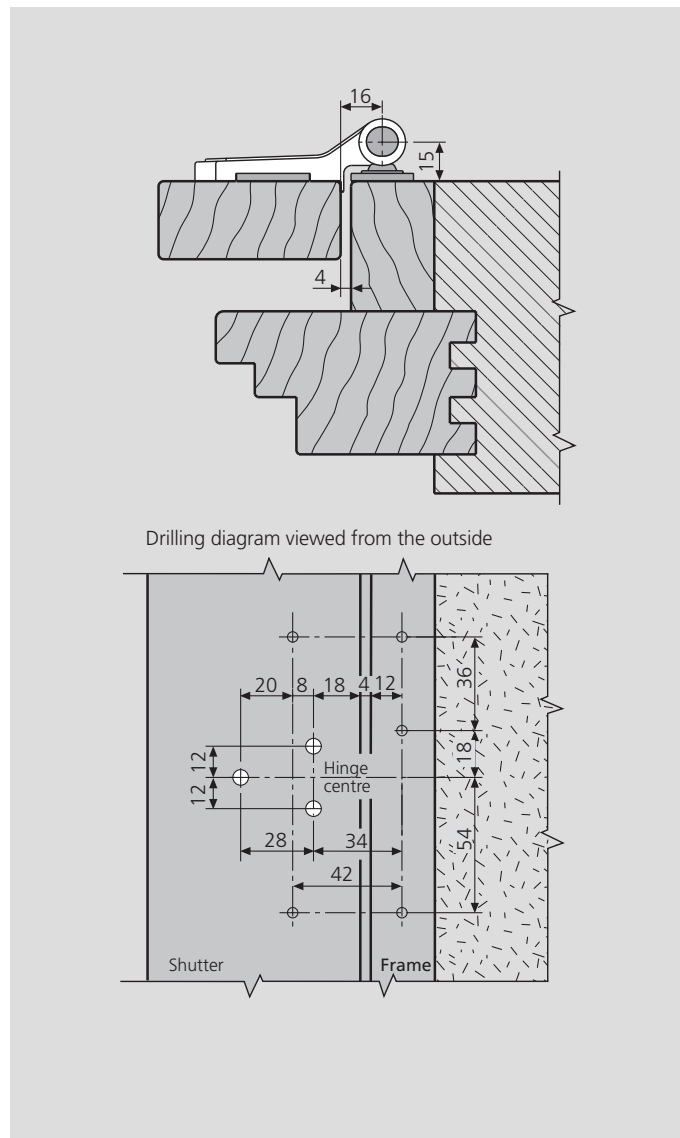
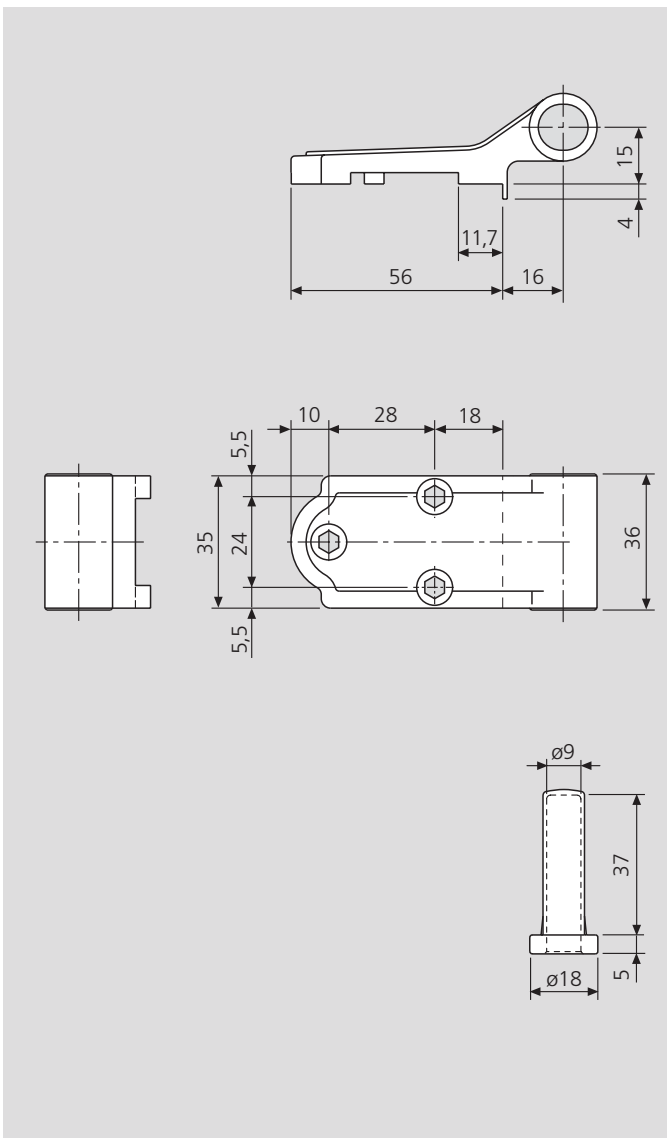
For flush shutters mounted on soffit or on frames that are flush with the exterior wall. It must be used in combination with fixed pin-tile GR2. It is also suitable for rebated or overlapped shutters, mounted on frames that are slightly recessed from the exterior wall, forming a narrow reveal. In this case it must be used in combination with the threaded pin-tile with plate.

It can be connected with corner as well as vertical brackets, but not with horizontal

brackets. It can also be fastened directly to the shutter using compensating shim art. H00921.00.93.

Mounting

Mount the corner or vertical bracket on the shutter and then fasten the hinge using 3 theft-proof screws: this solution ensures greater system steadiness and security. Alternatively, you can use three 4.5 mm screws of appropriate length (matching the thickness of the shutter) and with suitable thread. 3 rivets can be used (only for PVCu or aluminium shutters).



Order specifications

Black finish

Code
H00927.15.93

Bichromated finish

Code
H00927.15.04