

Fixed rebated hinge - 16x0 for horizontal bracket



Description

Two-handed hinge without neck, with wing for installation on the rebate 16 mm from the rotation axis. It can be reversed thanks to a removable self-lubricating plastic bushing.

Application

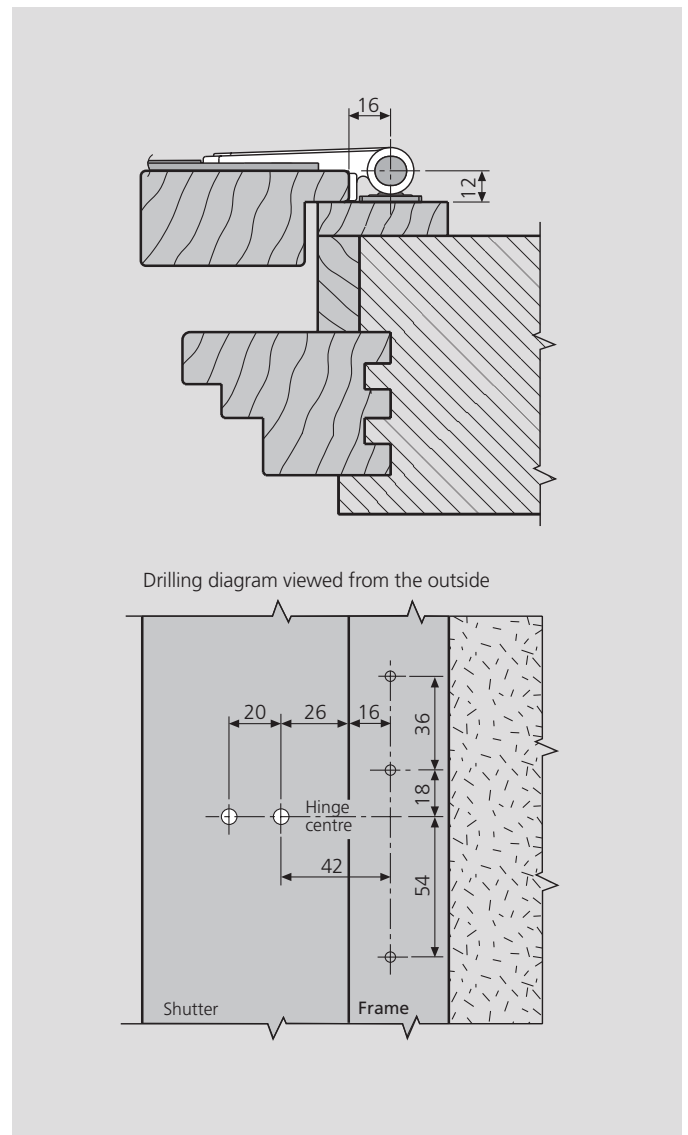
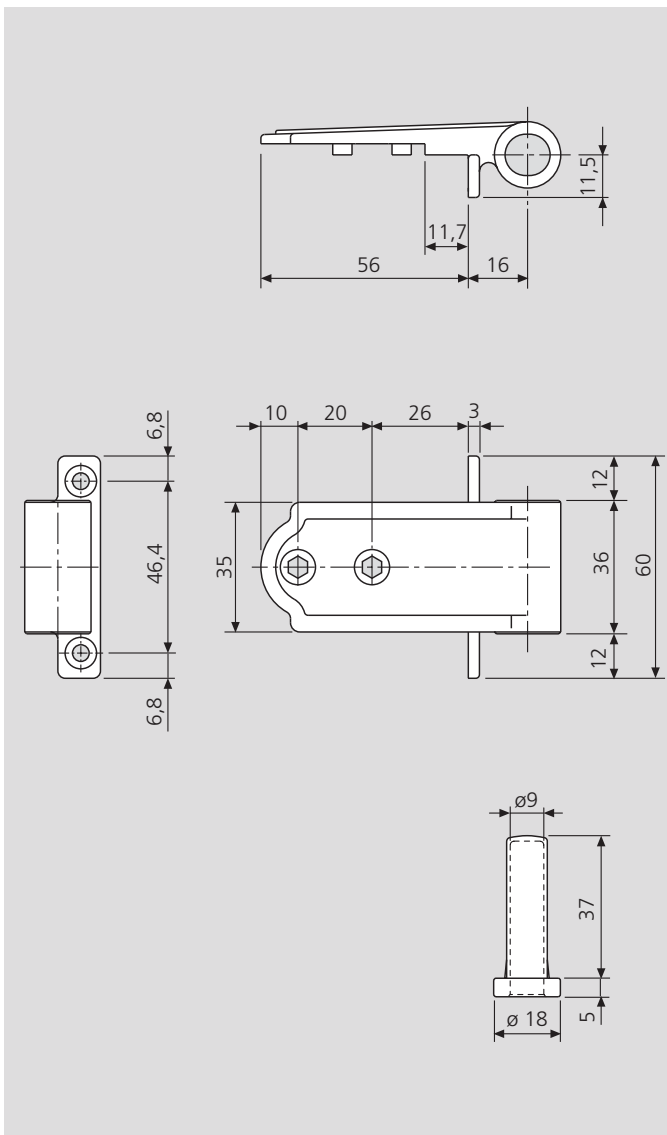
For rebated or overlapped shutters mounted on soffit or on frames that are slightly recessed from the exterior wall, forming a narrow reveal. It must be used in combination with a fixed pintle or with the threaded pintle with plate.

It is also suitable for folding shutters in combination with the appropriate horizontal bracket. It can only be connected with horizontal

brackets, not with corner or vertical brackets.

Mounting

Mount the horizontal bracket on the shutter and then fasten the hinge using 2 theft-proof screws: this solution ensures greater system steadiness and security. Alternatively, you can use two 4.5 mm screws of appropriate length (matching the thickness of the shutter), with thread suitable for the shutter material. Rivets can be used in case of PVCu or aluminium shutters. Fasten the side wing to the rebate using two 3.5x35 mm screws with suitable thread.



Order specifications

	Black finish	Bichromated finish
	Code	Code
	H00923.00.93	H00923.00.04