

Rubber bumper for shutters and 5 mm bumper shim



Description

- ❶ 25 mm rubber bumper for shutters
- ❷ 5 mm shim for bumper

Application

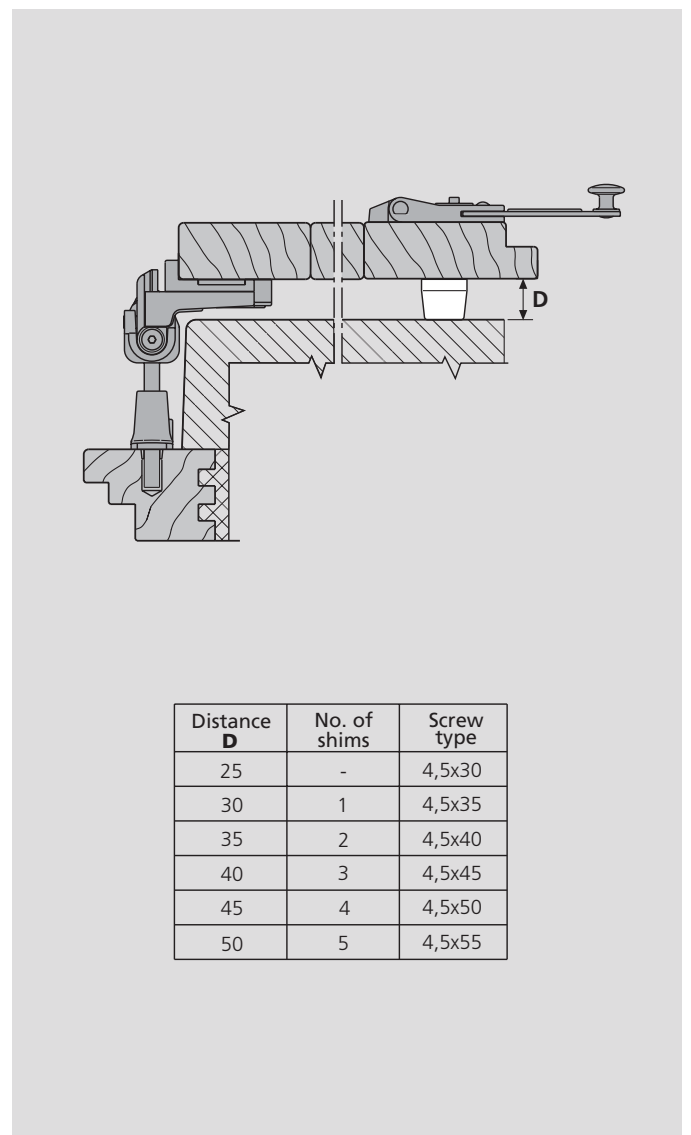
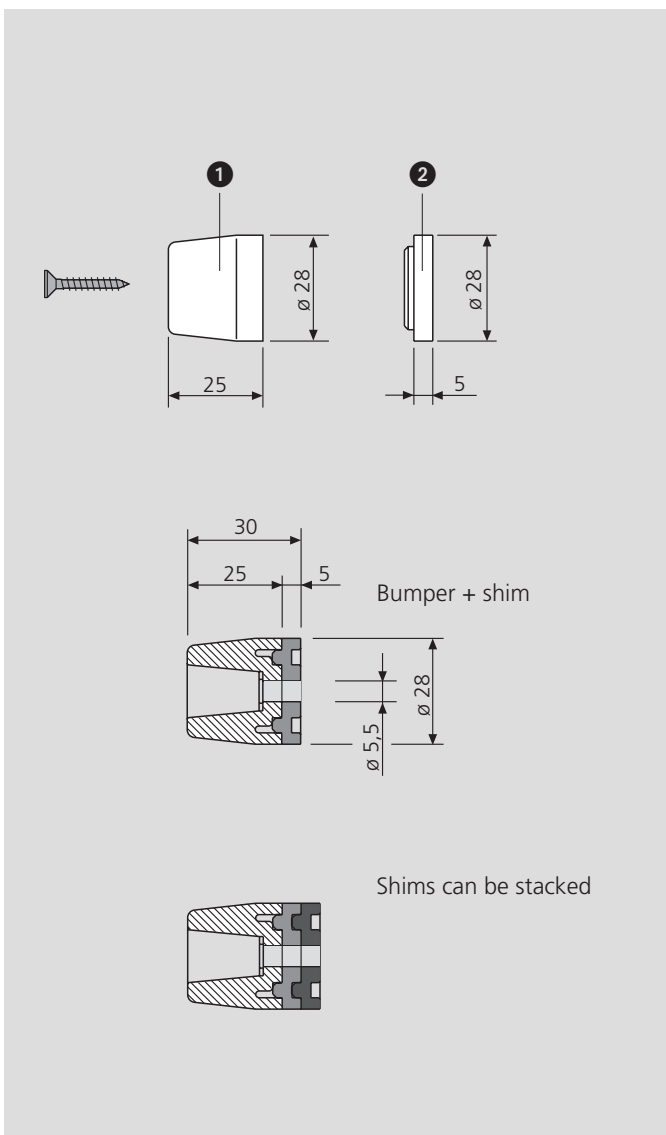
Designed for installation on shutters when the catch has no bumper and the distance between the wide open wing (180°) and the wall is at least 25 mm.

NB. It cannot be used in combination with the automatic hinge lock kit.

Mounting

Use one 4.5x30 mm screw with thread suitable for the shutter material.

- If one or more shims are used, the length of the screw must be increased in proportion to the D distance (see table below).



Order specifications

Ref.	Black finish
❶ Bumper	Code H00922.00.93
❷ 5 mm shim	H00922.01.93