

## 245 mm horizontal bracket



### Description

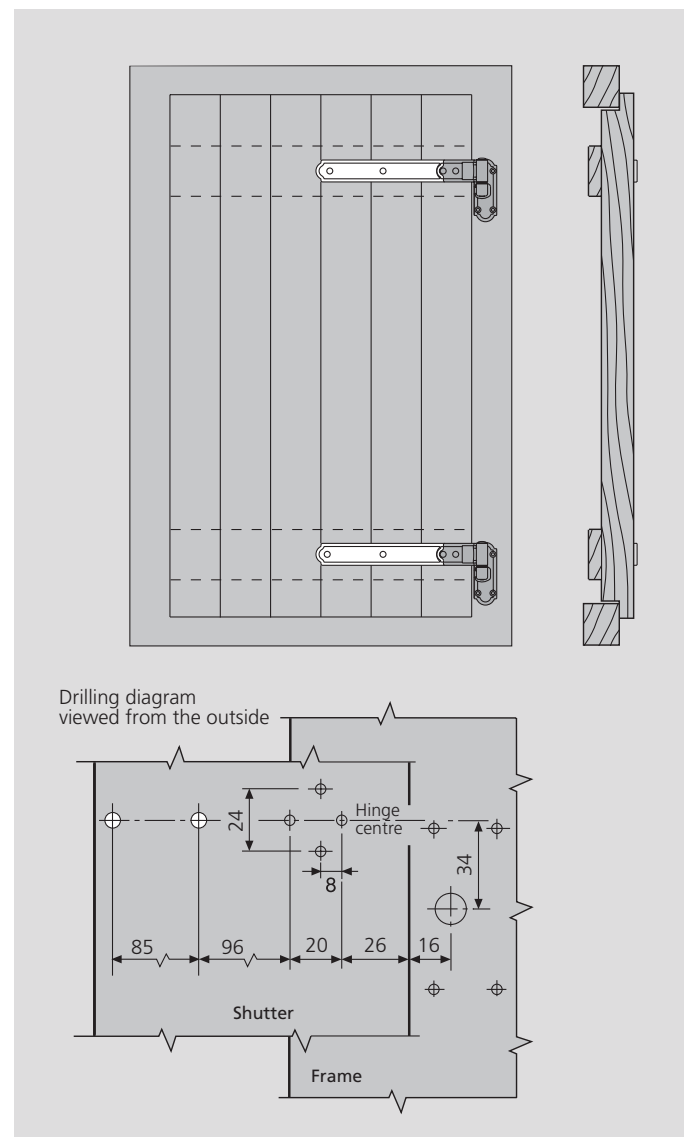
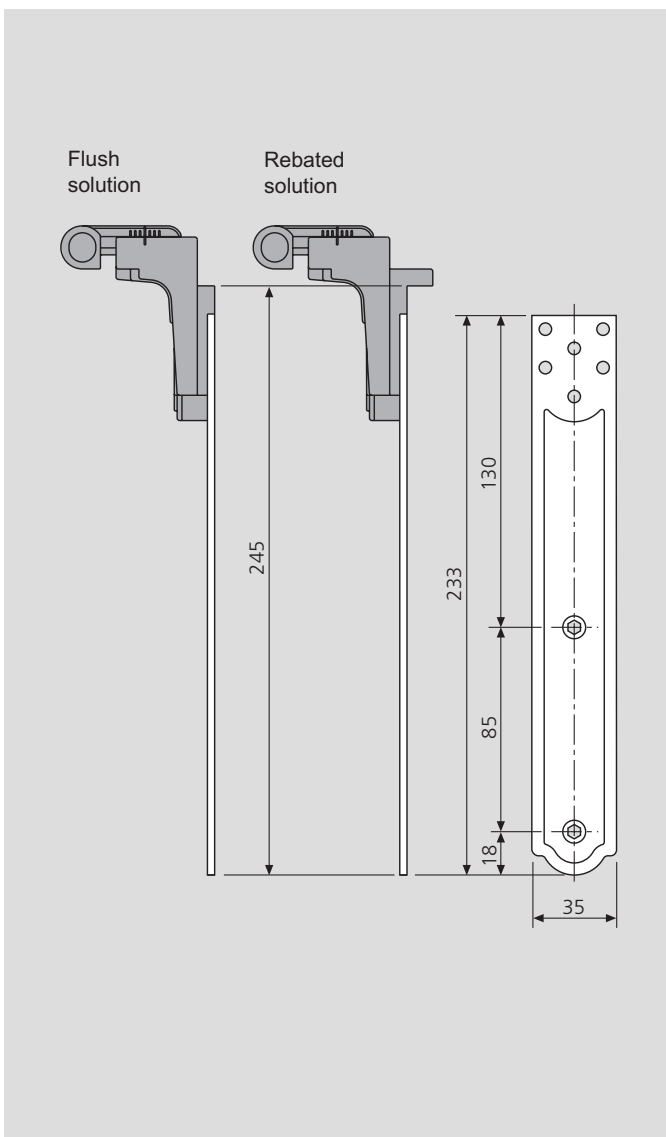
Shaped pressed steel bracket, 245 mm long and 3 mm thick, with holes for hinge connection. The special shape of the inner face of the bracket ensures excellent attachment to the shutter.

### Application

Especially suitable for all types of shutters with vertical staves fastened to rails. The bracket in fact reinforces the joint and prevents any yielding of the edge of the shutters. To be used in combination with the supports for adjustable hinges, or attach directly to fixed and coplanar Abaco hinges.

### Mounting

Couple the bracket with the relative support or hinge and fasten the whole following the instructions provided in the technical specifications for these components. Then secure the bracket with two additional screws. We recommend the use of theft-proof screws as they ensure greater system steadiness and security. Alternatively, you can use 4.5x30 mm screws with thread suitable for the shutter material, or rivets (for PVCu or aluminium systems only).



### Order specifications

	Black finish	Bichromated finish
	Code	Code
	H00920.02.93	H00920.02.04