

# Anti-burglary screw and fastening bush



**Description**

- ❶ Stainless steel theft-proof screw with hex neck
- ❷ M5 threaded fastening bush

**Application**

For all shutters when higher system theft-proof security is required. The length of the screw depends on the thickness of the shutter.

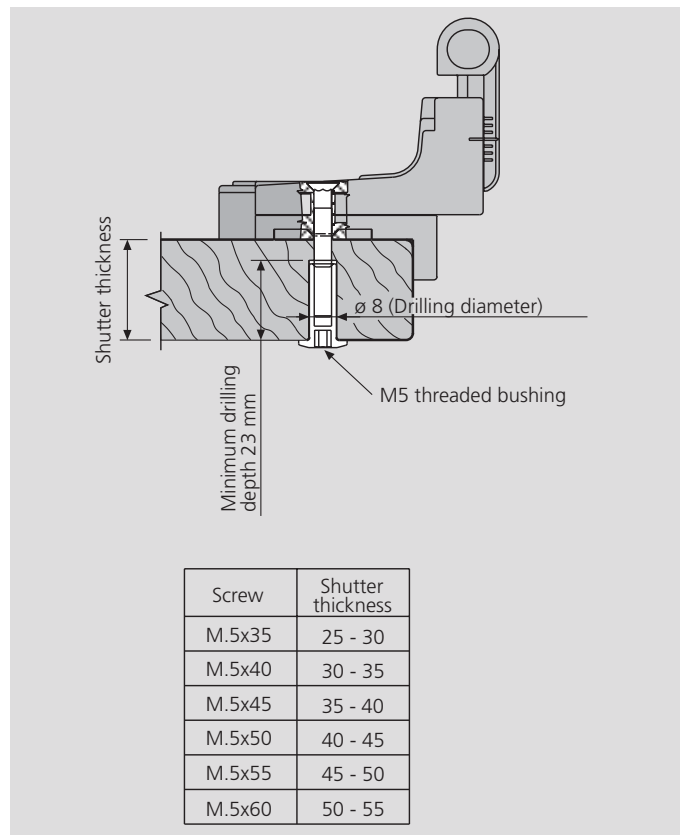
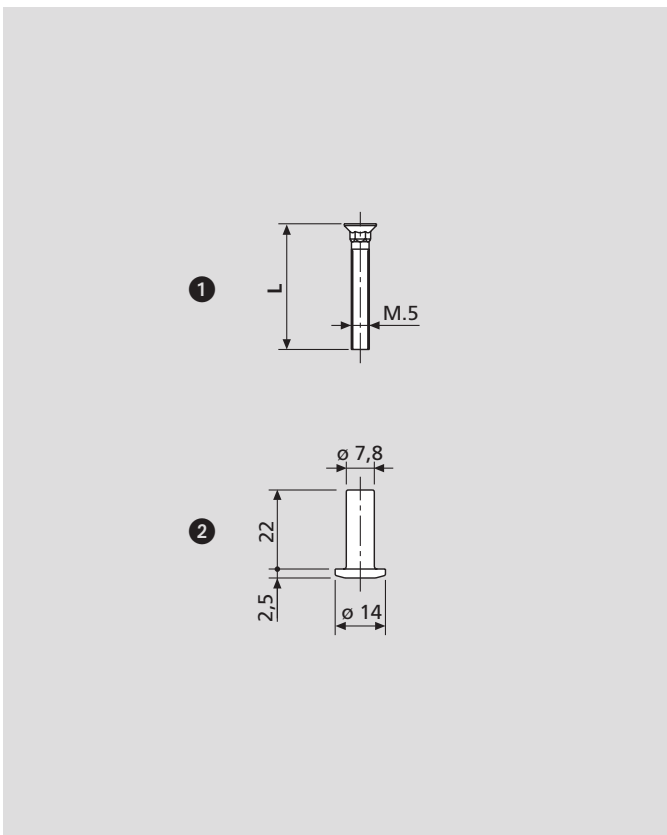
- Use in combination with all accessories featuring hex-shaped screw hole.

**Mounting**

Drill a 5 mm diameter through hole and widen it internally to 8 mm along the entire length of the bushing (23 mm).

Lock the screw with the bushing using a 4 mm Allen wrench.

**NB.** When placing the order, specify the items separately with their respective codes (screw + bushing).



**Order specifications (screws) ❶**

L	Black finish	Bichromated finish
	Code	Code
25	H00916.25.93	H00916.25.04
30	H00916.30.93	H00916.30.04
35	H00916.35.93	H00916.35.04
40	H00916.40.93	H00916.40.04
45	H00916.45.93	H00916.45.04
50	H00916.50.93	H00916.50.04
55	H00916.55.93	H00916.55.04
60	H00916.60.93	H00916.60.04

**Order specifications (bushing) ❷**

	Black finish	Bichromated finish
	Code	Code
	H00916.00.93	H00916.00.04