

Hinge lock kit



Description

Right or left-handed hinge lock kit with adjustable end of stroke.

Components

- 1 socket-head fastening screw
- 1 plug
- 1 bushing with dowels
- 1 hinge lock body with dowel
- 1 spring bumper

Application

Use only in locations not subject to high winds, on shutters with an area not exceeding 1.5 m², with adjustable pintles and hinges. Used to hold the leaf open at 180°. Easy-to-reach release pin.

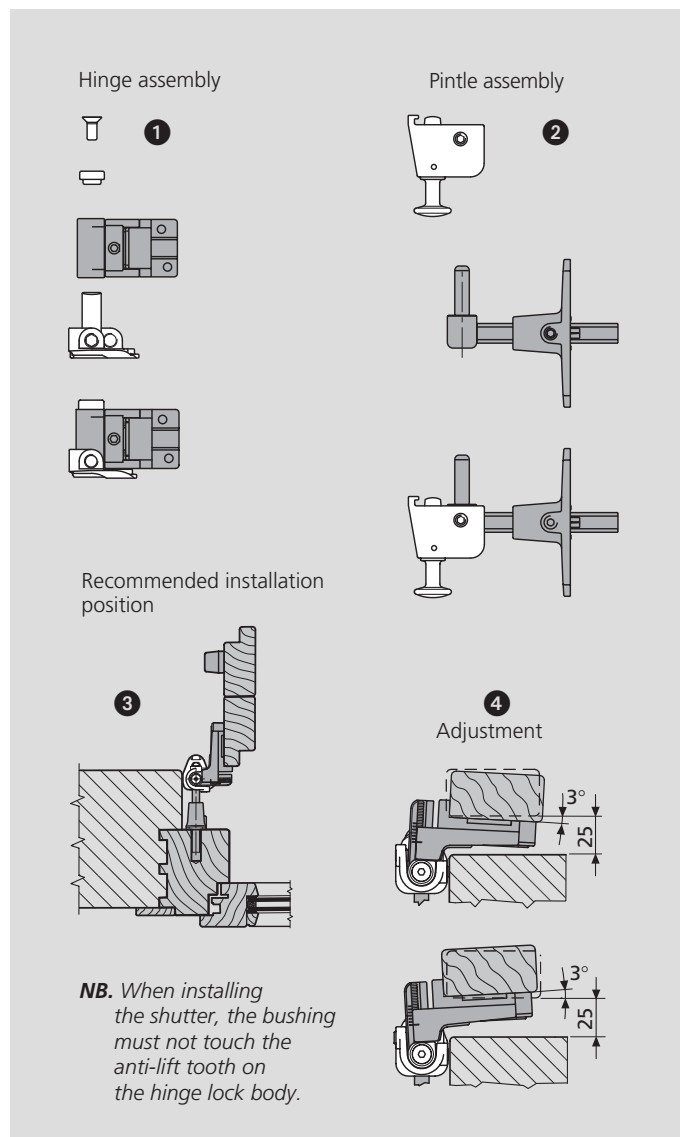
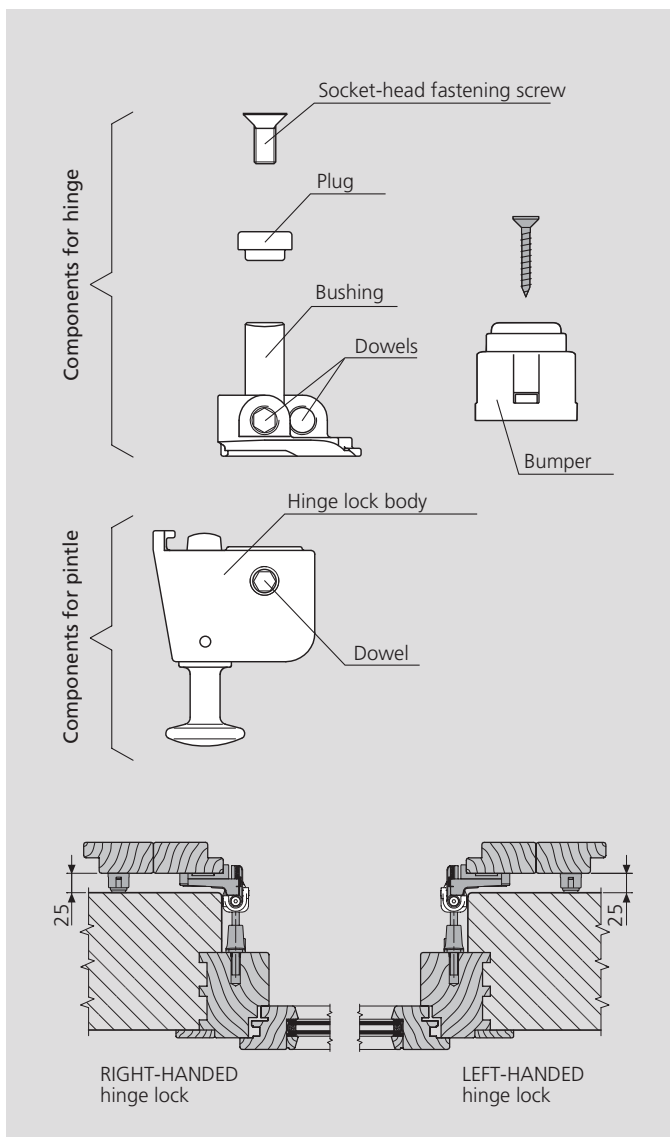
- Used in combination with **GR 1, 2, 3** adjustable pintles with either narrow or large bracket, and with adjustable hinges.

- For **GR 0** pintles with narrow bracket, it can be used only with measurement B > 43 mm.

- For pintles with narrow bracket, it can only be used when the clearance between the closed shutter and the reveal is greater than 34 mm.

Mounting

It must be fitted on the pintle or adjustable hinge. See drawing.



Order specifications

Ref.	Black finish	Bichromated finish
	Code	Code
L.-h.	H00913.00.93	H00913.00.04
R.-h.	H00913.01.93	H00913.01.04