

Snap-type espagnolette - 90° rotation



Description

Handle with 90° rotation and anti-burglary locking device.

The fixed support features a locking lever which must be pressed to enable opening by rotating the handle.

For automatic latch, just rotate the handle toward the shutter until it snaps shut.

It is also available in a basic kit that includes all the accessories required for assembly on single or multiple-sash shutters.

Application

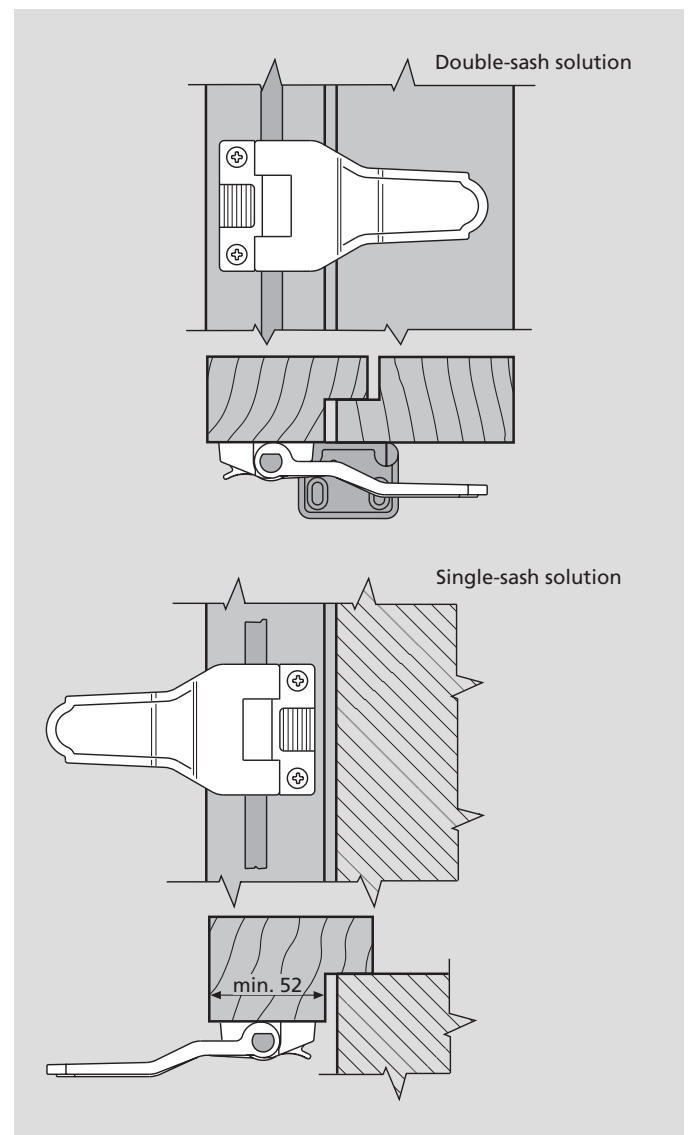
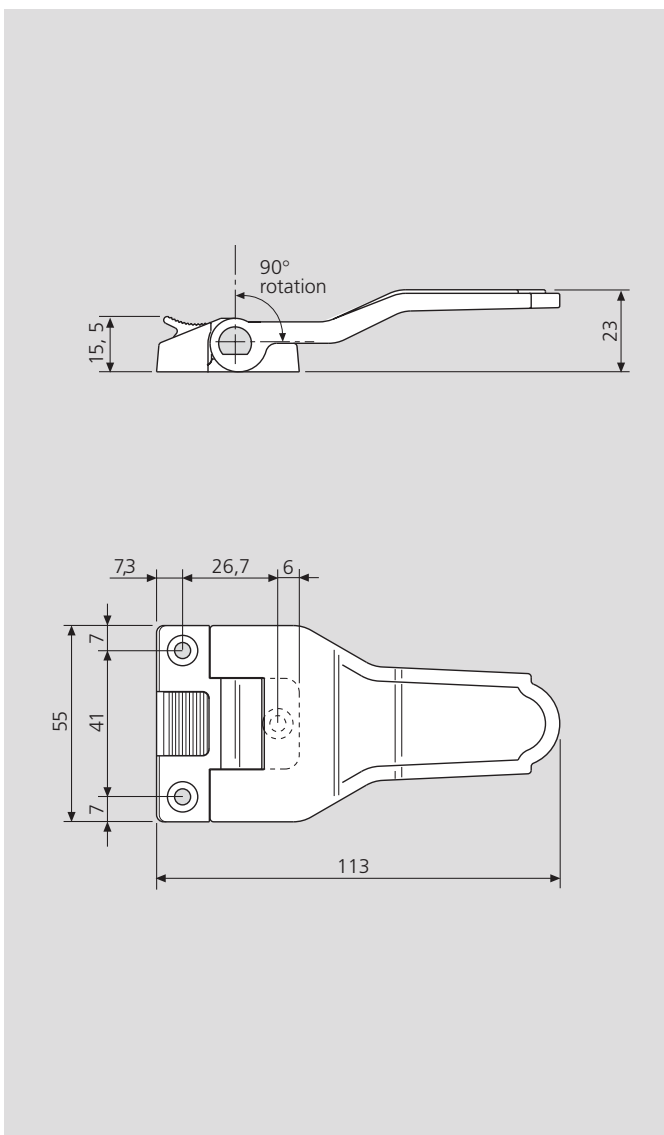
Suitable for all traditional single or double-sash systems with finished stiles of at least 52 mm width.

NB. Not suitable for folding-leaf shutters.

- To be used in combination with the drive rod. It does not require a catch, which is replaced by the automatic latching device.

Mounting

Use three 4x30 mm screws with thread suitable for the shutter material.



Order specifications

Black finish

Code

H00901.03.93

Bichromated finish

Code

H00901.03.04