

## Sash fastening blade



### Description

Steel fastening blade for semi-fixed sashes of multiple-sash shutters.

### Application

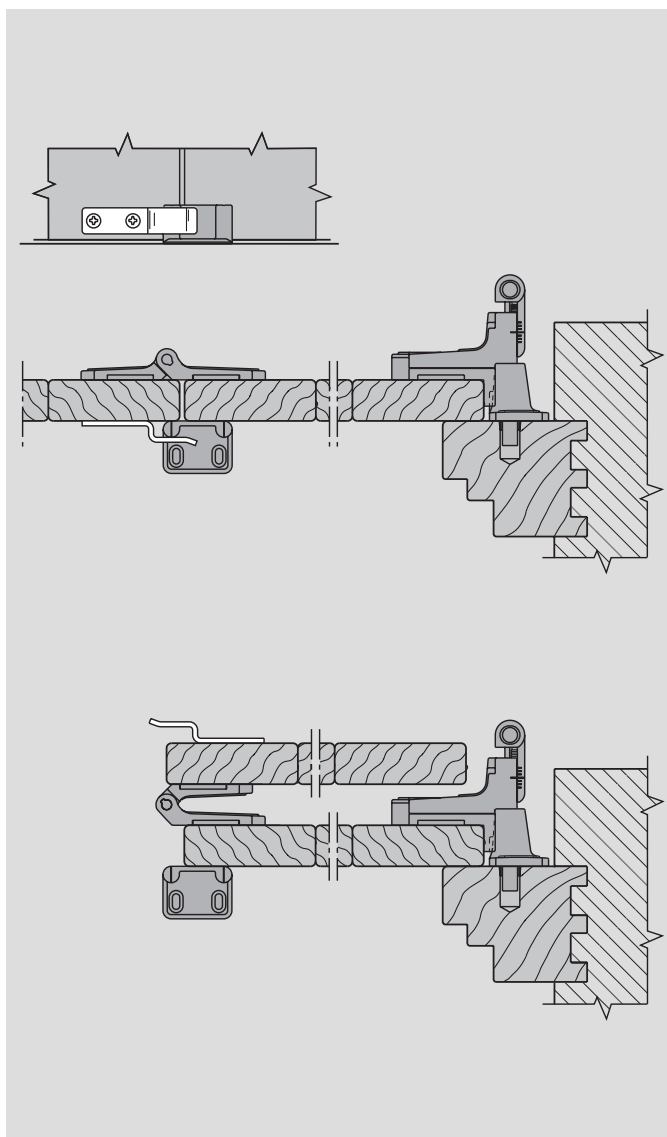
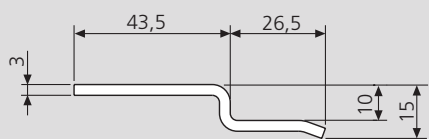
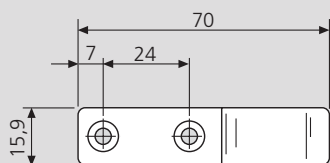
Suitable for shutters with three or more sashes.

Installed on the folding wing so as to engage the catch plate or double catch pins, it enables automatic fastening without requiring the installation of espagnolettes or bolts on the central system point of the third wing.

- Used in combination with all catch pins.

### Mounting

Use two 4x30 mm screws with thread suitable for the shutter material.



### Order specifications

#### Black finish

Code

H00901.39.93

#### Bichromated finish

Code

H00901.39.04