

Screw-in catch pin



Description

Adjustable threaded steel catch pin for inswinging shutters.

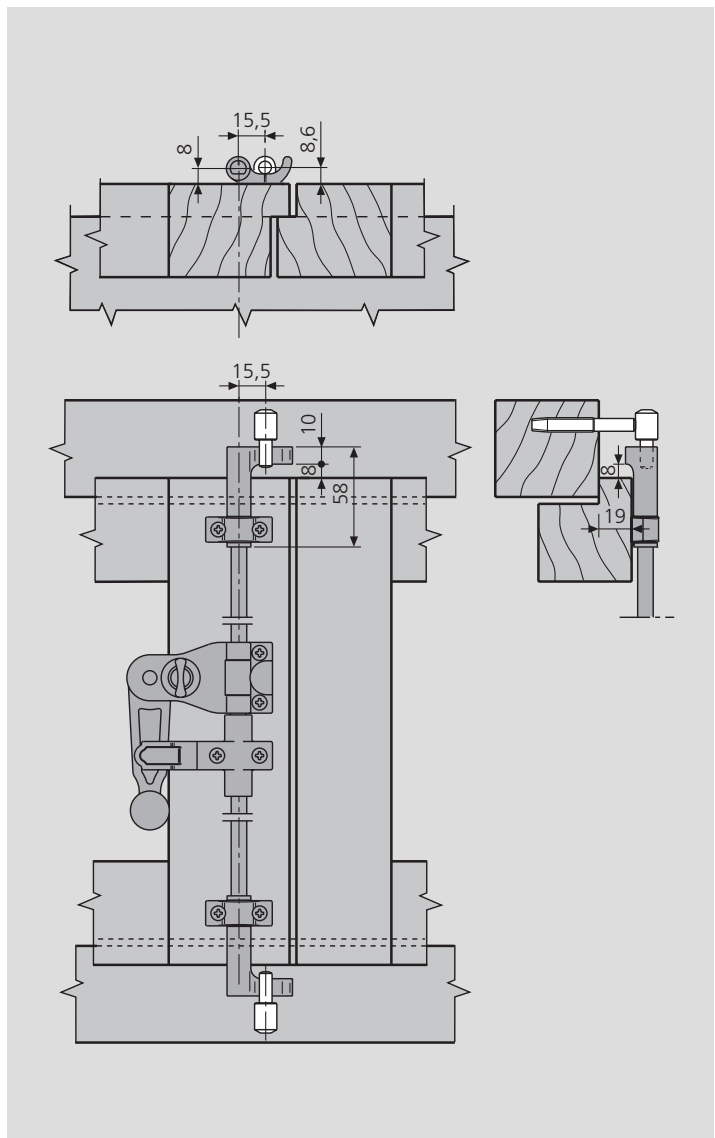
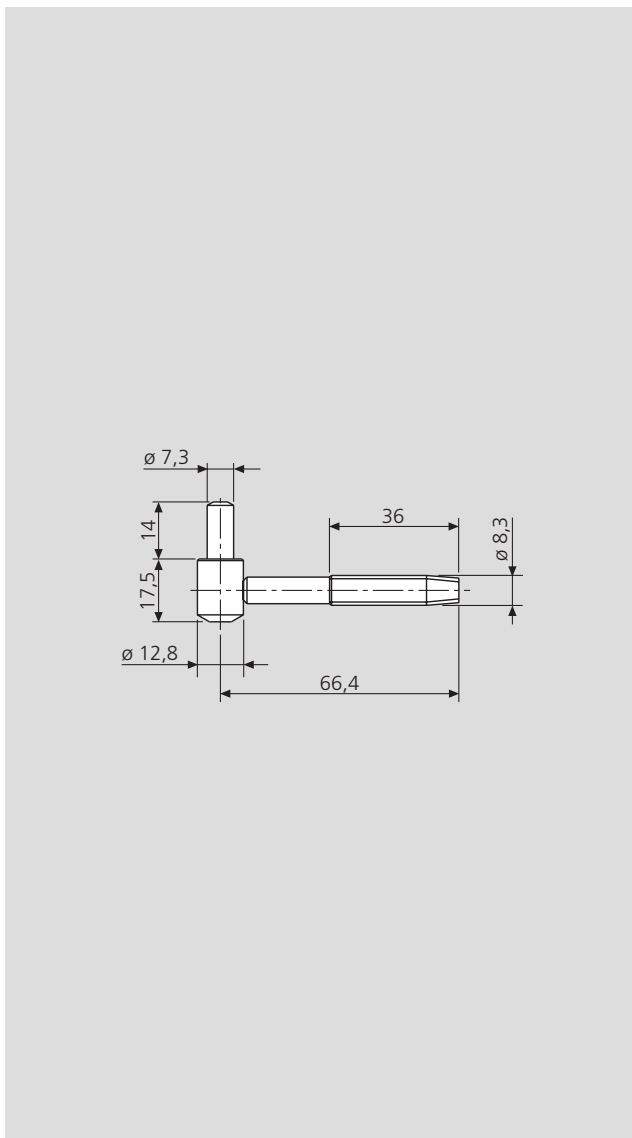
Application

Suitable for window shutters hinged to the window on the inside, or in renovations, when the espagnolette system is adopted as an alternative to other window fastening solutions.

- Used in combination with bent reversed closing hooks.

Mounting

Fit in a 7.2x4 mm hole. The shank is screwed down using tool art. E00013.13.03.



Order specifications

Black finish

Code
H00901.34.93

Bichromated finish

Code
H00901.34.04