

Eccentric catch pin



Description

Eccentric ABS catch pin with screw and anchor (included) for wall installation.

Application

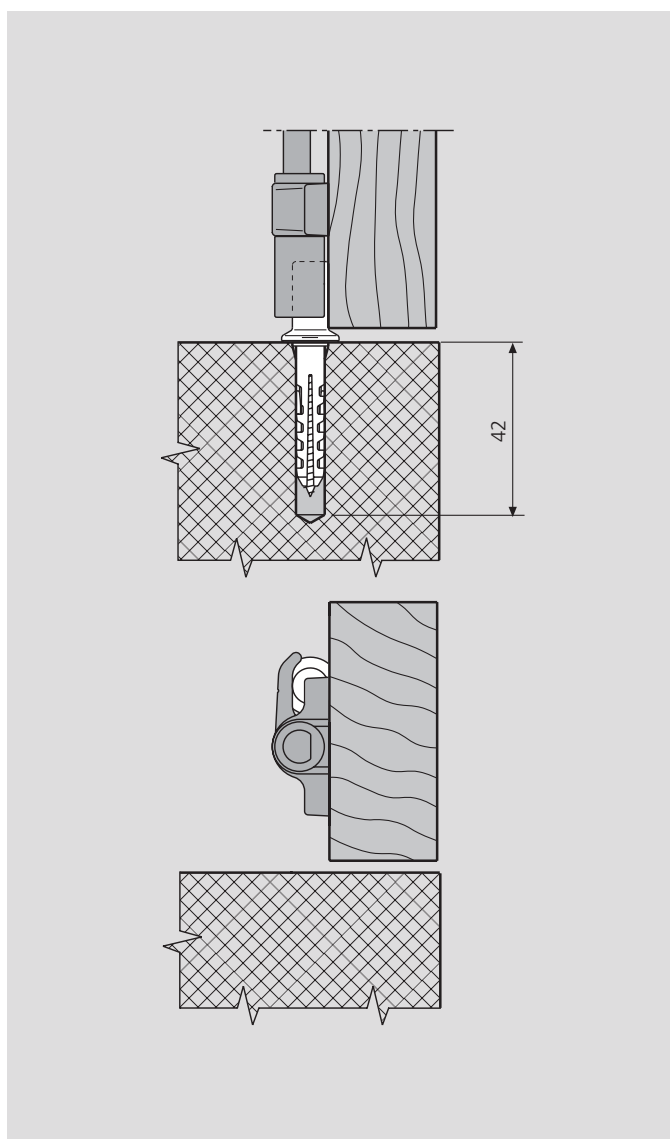
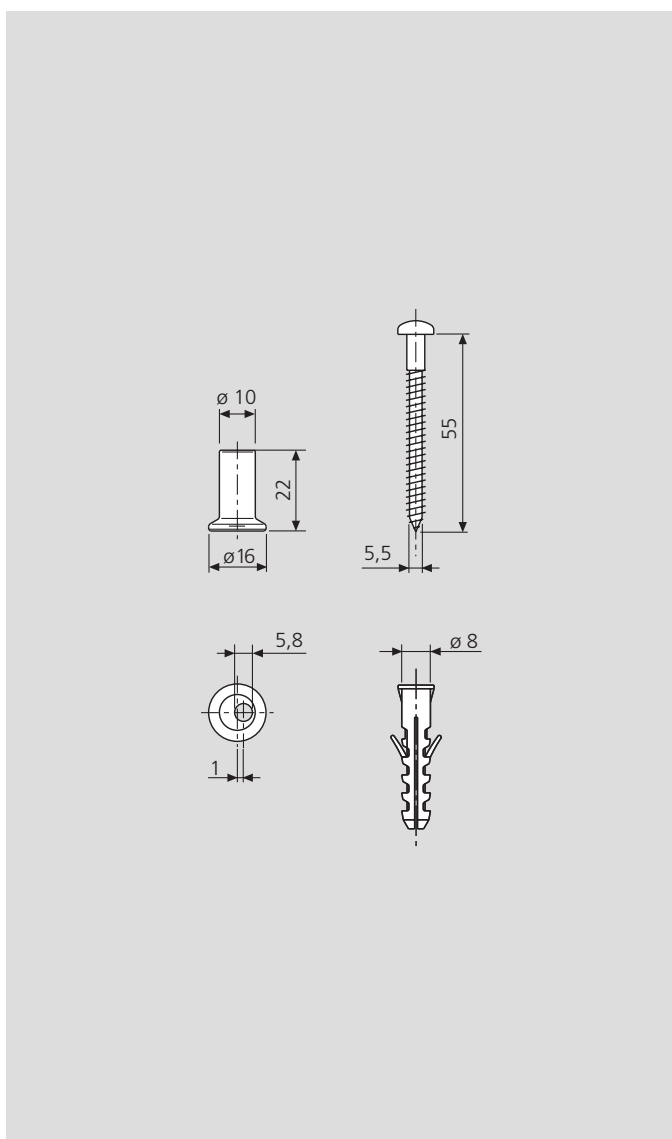
Suitable for single-wing shutters hinged to the wall or with side soffit.

NB. It cannot be used for overlapped shutters flush with the exterior wall.

- Used in combination with standard or curved closing hooks.

Mounting

Fit in an 8x42 mm hole in the threshold/sill.



Order specifications

Black finish

Code

H00901.28.93