

## Corner catch plate



### Description

Angular catch plate with elongated screw holes.

### Application

Used to facilitate drilling and fastening in case of multiple-wing shutters hinged to the wall or with soffit, where there is no stop rebate on the shutter rail or threshold.

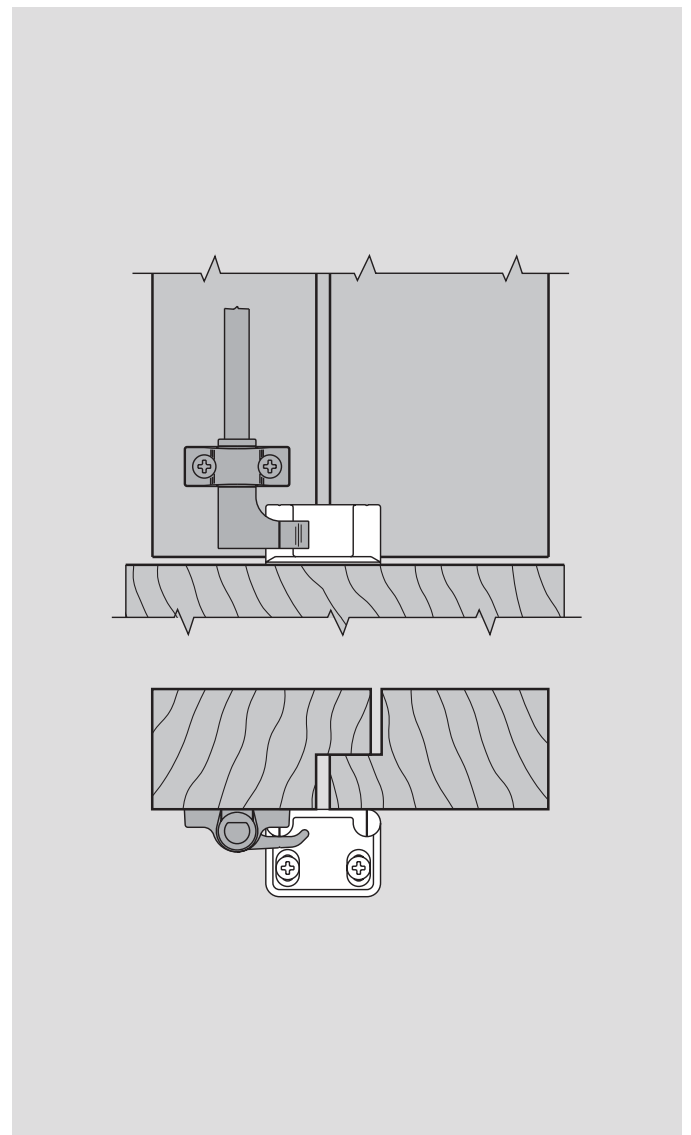
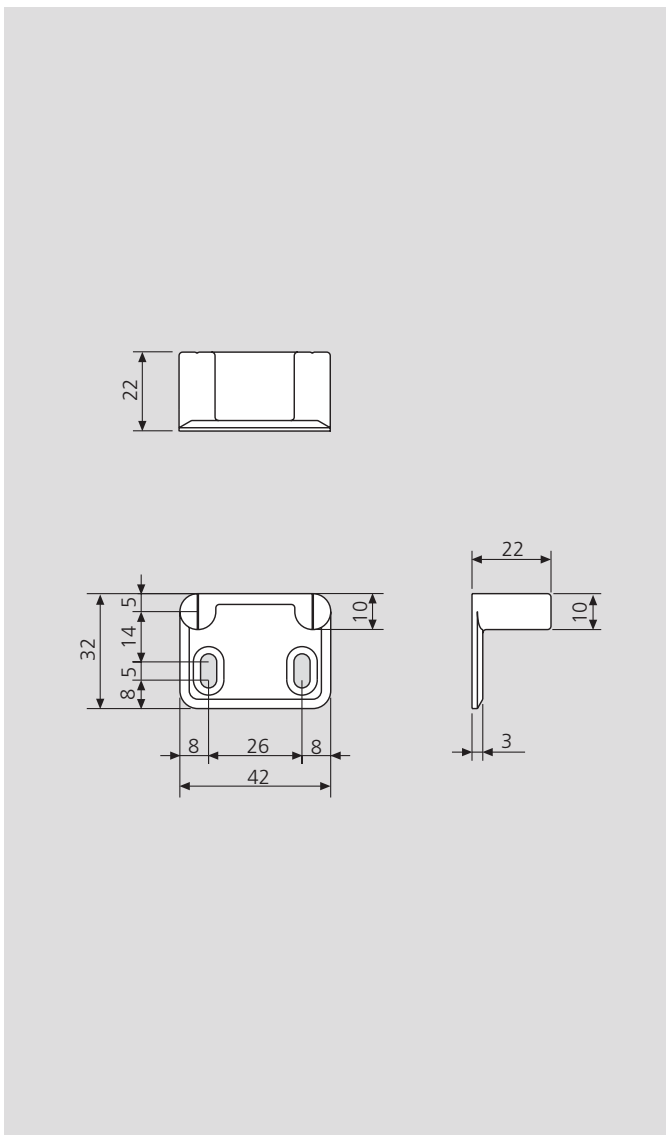
**NB.** Working tolerances can be compensated by adjusting the position of the screws before tightening them.

- Used in combination with fastening hook.
- Cannot be used in combination with a bent fastening hook.

### Mounting

Use two 4x30 mm screws with thread suitable for the frame material.

In case of wall installation, it must be fastened using a suitable anchor.



### Order specifications

|               | Black finish | Bichromated finish |
|---------------|--------------|--------------------|
|               | Code         | Code               |
|               | H00901.26.93 | H00901.26.04       |
| basic kit (*) | H00901.45.93 | H00901.45.04       |

(\*) Contents: 1 straight catch pin + 1 angular catch plate.