

Catch pin with long plate to be glued



Description

Catch pin with long glue-on plate for marble installation. It can be adjusted with a 5 mm Allen wrench.

Application

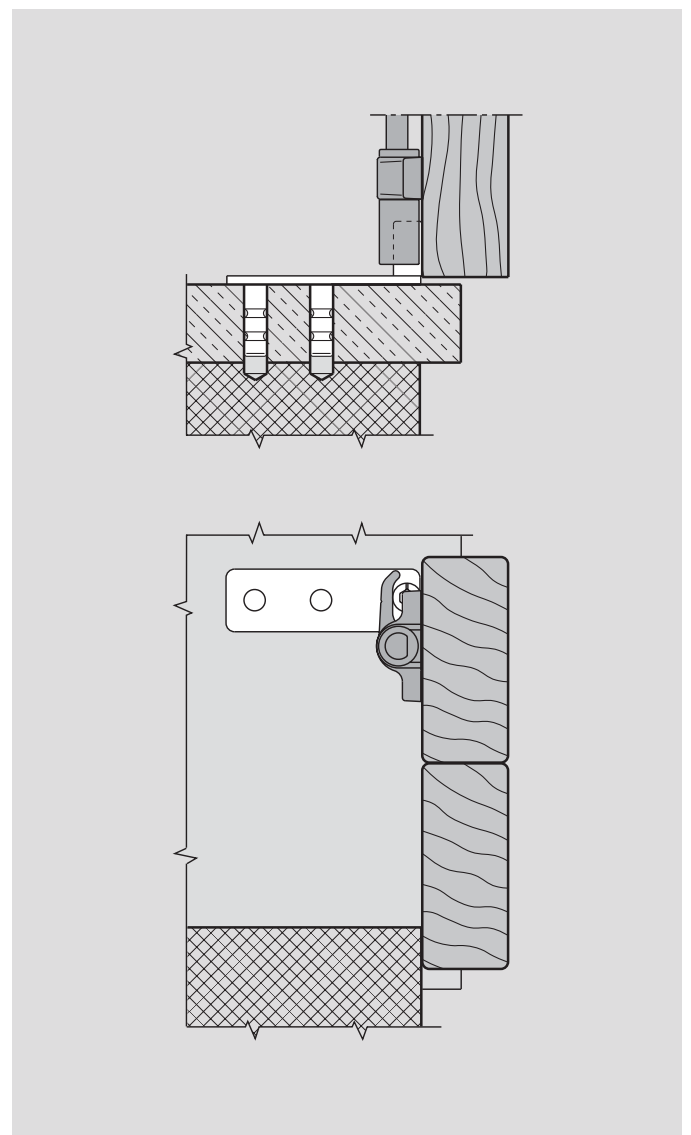
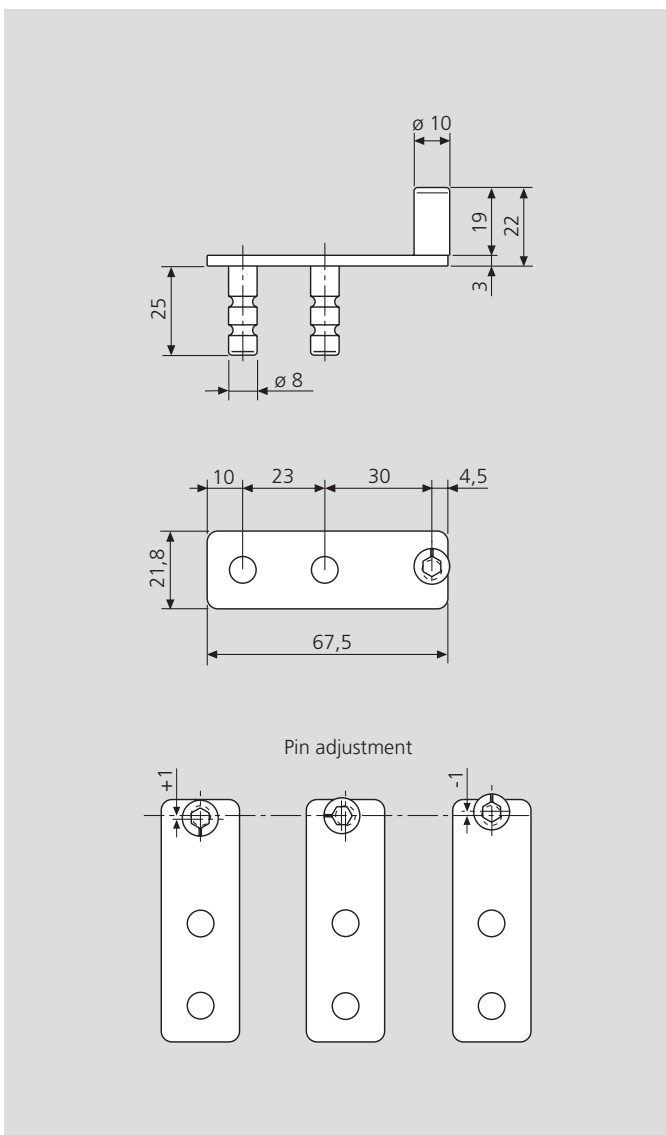
Used to facilitate drilling and fastening in case of single-wing shutters hinged to the wall or with side soffit only, flush with the exterior wall.

NB. Working tolerances can be compensated by adjusting the pin.

- Used in combination with standard or curved closing hooks.

Mounting

Drill two 9x27 mm holes and bind with glue or acrylic resin.



Order specifications

Black finish

Code
H00901.23.93

Bichromated finish

Code
H00901.23.04