

Catch pin with long plate



Description

Catch pin with long plate for wall installation. It can be adjusted with a 5 mm Allen wrench.

Application

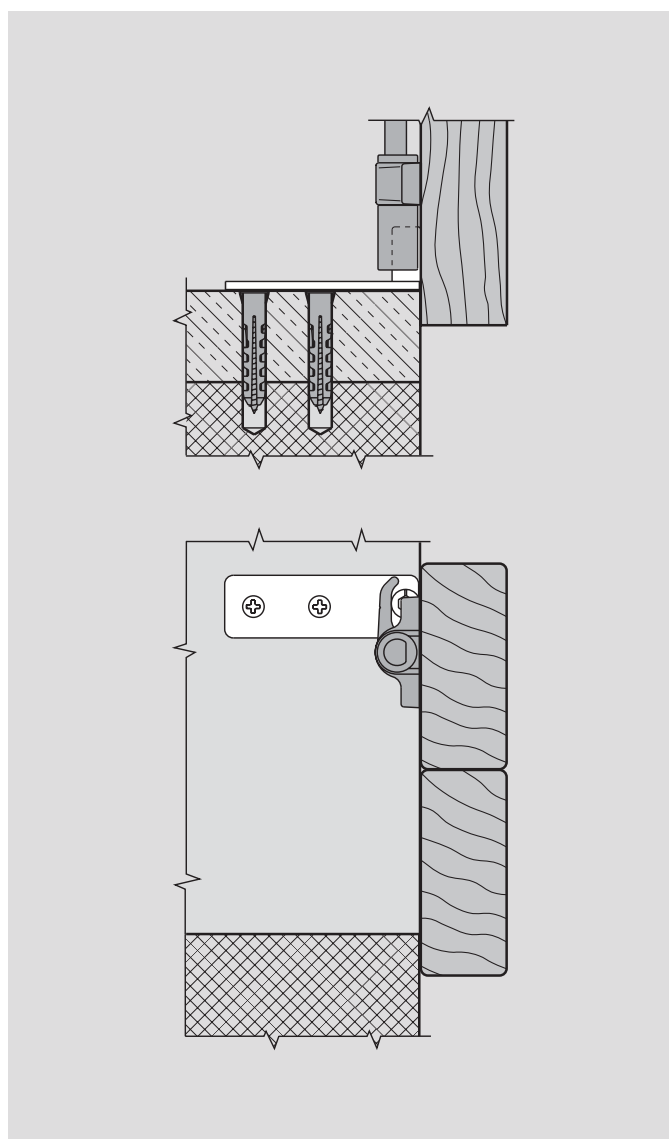
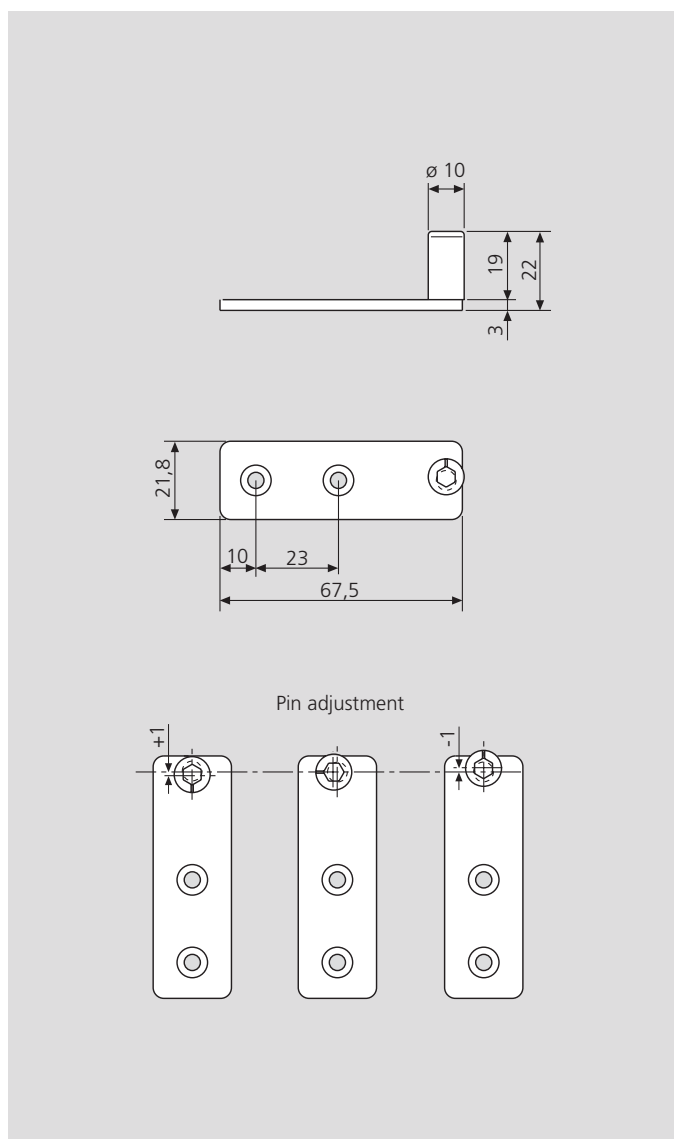
Used to facilitate drilling and fastening in case of single-wing shutters hinged to the wall or with side soffit only, flush with the exterior wall.

NB. Working tolerances can be compensated by adjusting the pin.

- Used in combination with standard or curved closing hooks.

Mounting

Use two 4x30 mm screws and anchors suitable for the material to be drilled.



Order specifications

Black finish

Code
H00901.17.93

Bichromated finish

Code
H00901.17.04