

# Double catch pin - 76 mm distance between centres



**Description**

Double steel catch pin for wall installation. It can be adjusted with a 5 mm Allen wrench.

**Application**

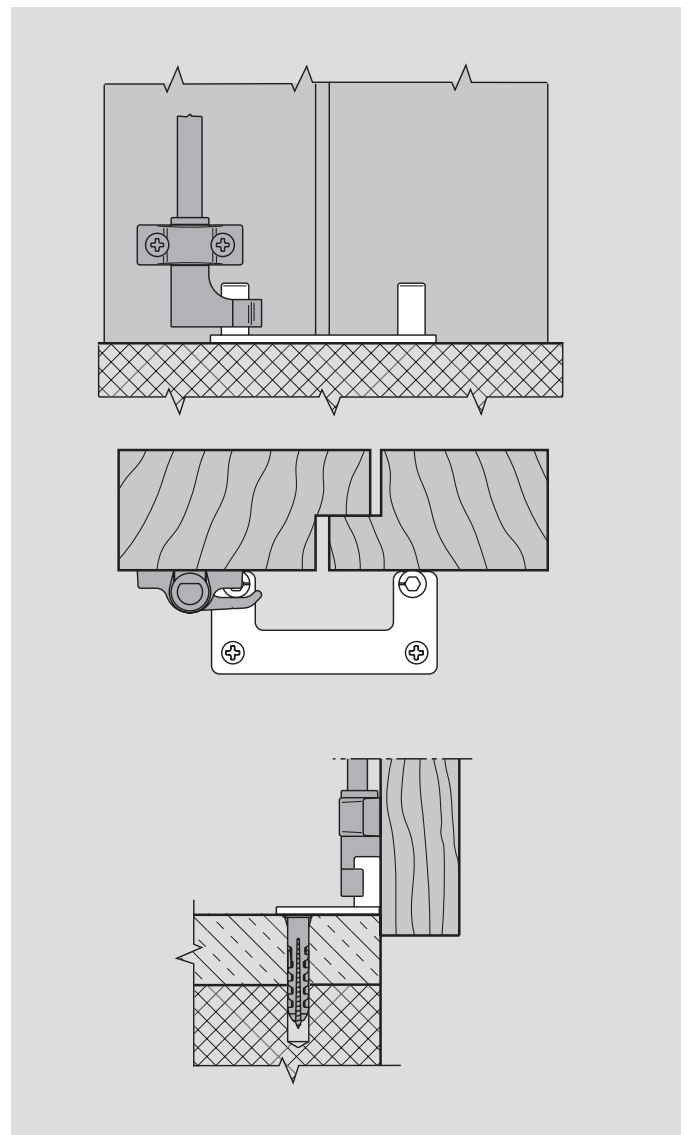
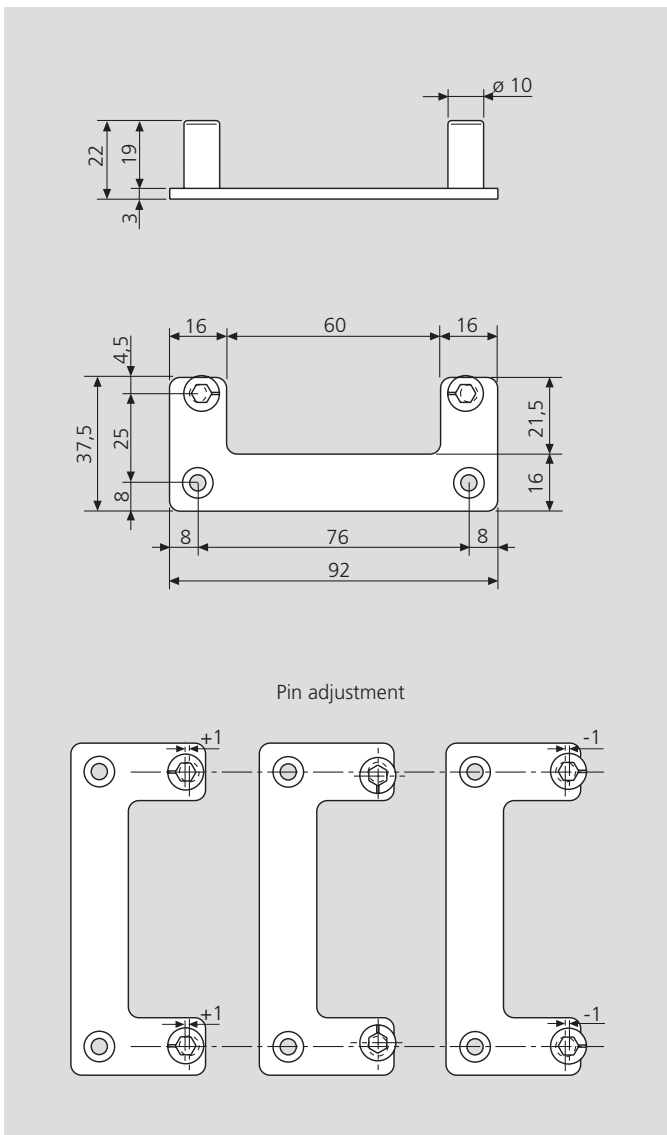
Used to facilitate drilling and fastening in case of multiple-wing shutters hinged to the wall or with side soffit only, flush with the exterior wall, where there is no stop rebate on the shutter rail or threshold.

**NB.** Working tolerances can be compensated by adjusting the pins.

- Used in combination with standard or curved closing hooks.

**Mounting**

Use two 4x30 mm screws and anchors suitable for the material to be drilled.



**Order specifications**

**Black finish**

Code  
H00901.16.93

**Bichromated finish**

Code  
H00901.16.04