

Inclined catch pin



Description

Inclined adjustable steel catch pin can be mounted on timber, aluminium or PVCu. It can be adjusted with a 5 mm Allen wrench.

Application

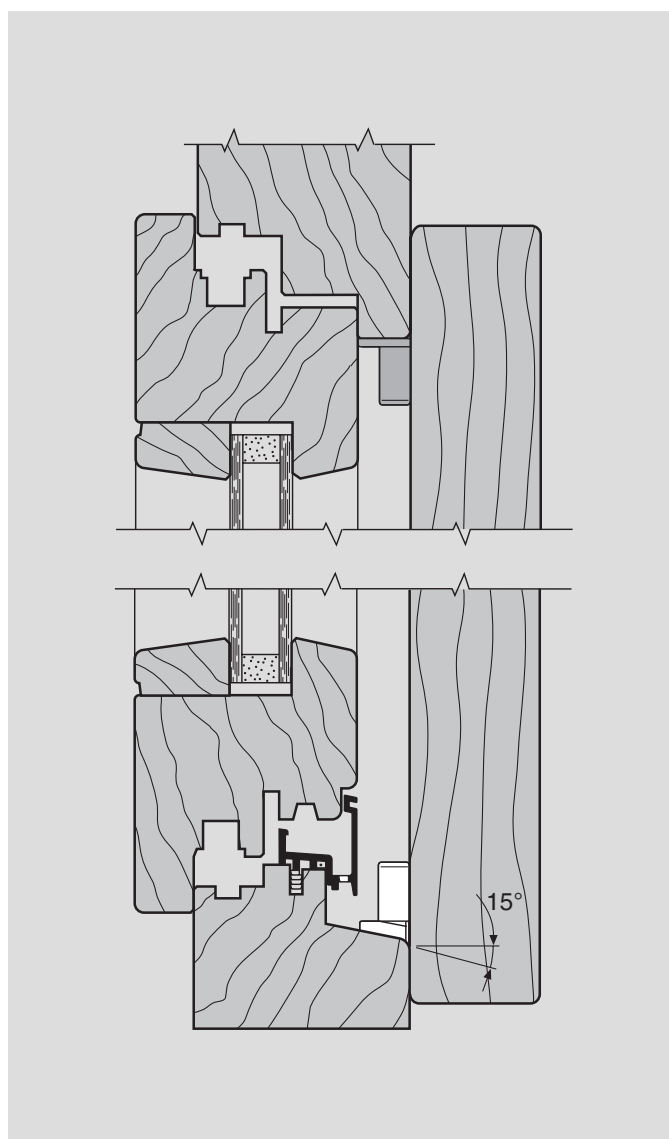
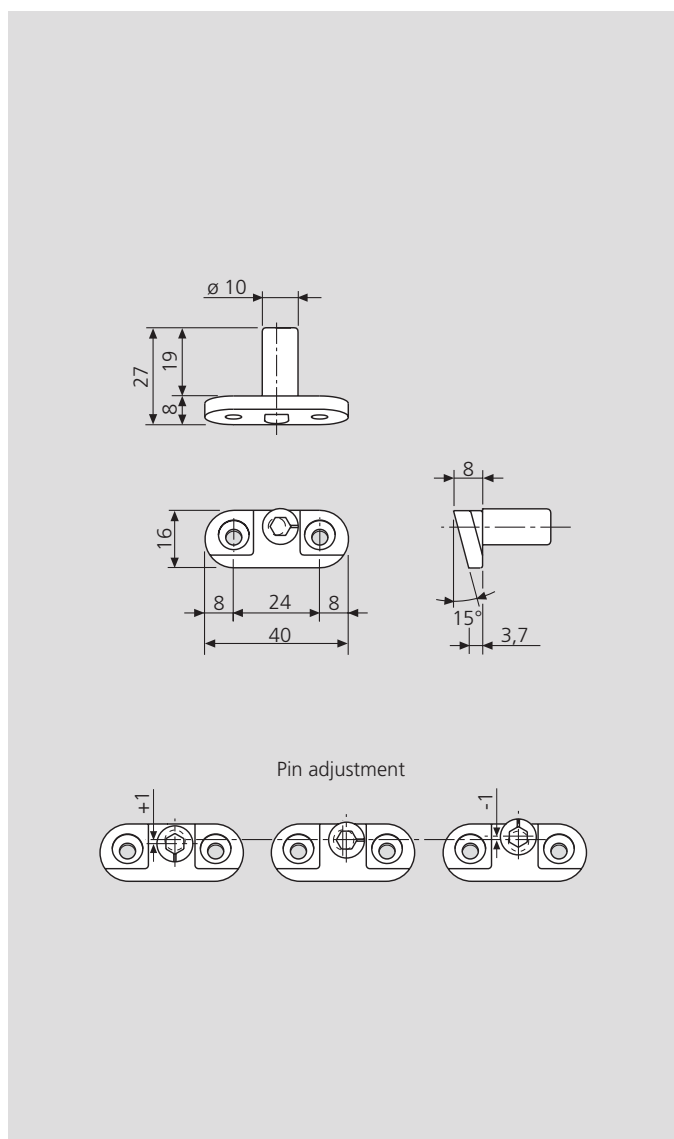
Used on simple monobloc systems with overlapped or rebated shutters that are hinged directly to the window frame. It must be fastened to the sill so as to compensate for the inclination of the drip.

NB. Working tolerances can be compensated by adjusting the pin.

- Used in combination with standard or curved closing hooks.

Mounting

Use two 4x30 mm screws with thread suitable for the frame material.



Order specifications

Black finish

Code
H00901.12.93

Bichromated finish

Code
H00901.12.04