

Straight catch pin



Description

Straight adjustable steel catch pin can be mounted on timber, aluminium or PVCu. It can be adjusted with a 5 mm Allen wrench.

Application

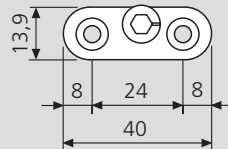
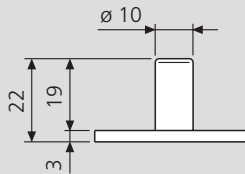
Suitable for overlapped or rebated shutters.

NB. Working tolerances can be compensated by adjusting the pin.

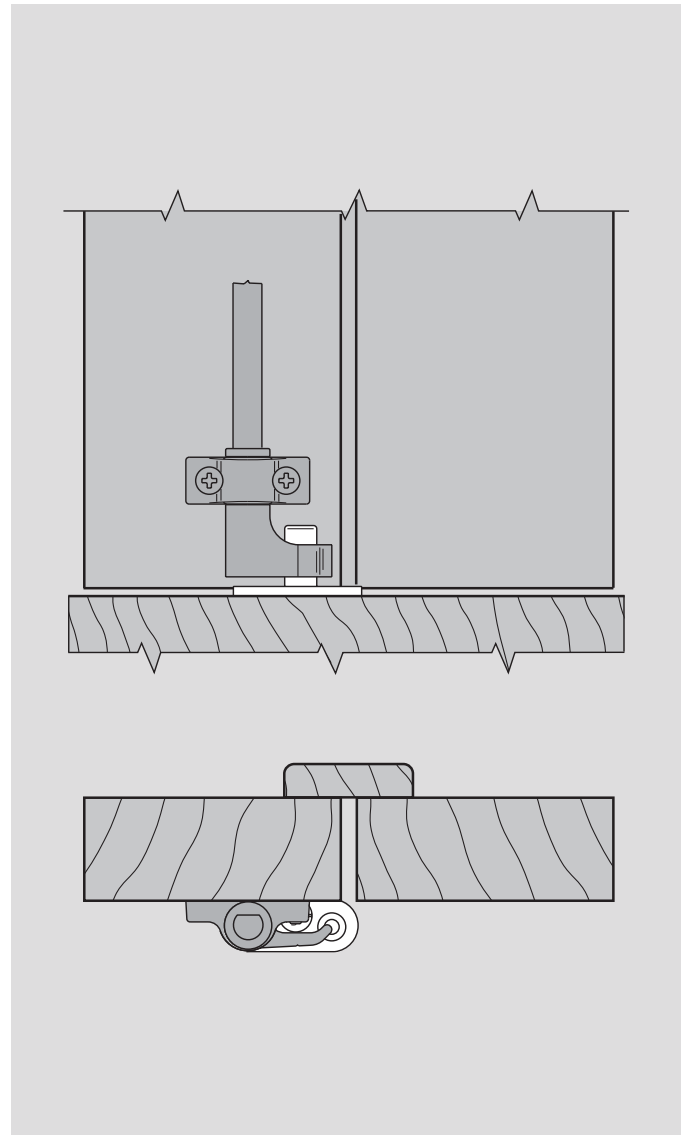
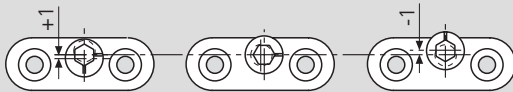
- Used in combination with standard or curved closing hooks.

Mounting

Use two 4x30 mm screws with thread suitable for the frame material.



Pin adjustment



Order specifications

	No. of pins	Black finish	Bichromated finish
		Code	Code
	1	H00901.11.93	H00901.11.04
Basic kit	2	H00901.46.93	H00901.46.04