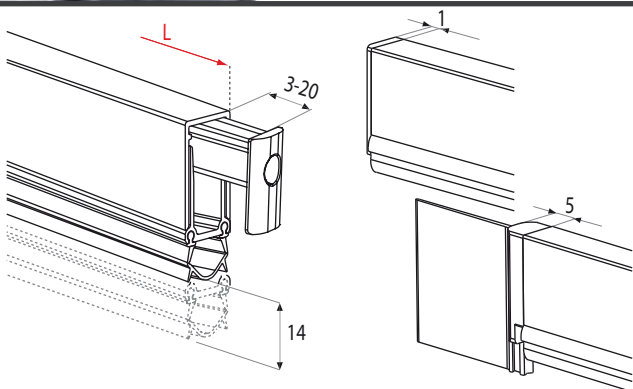
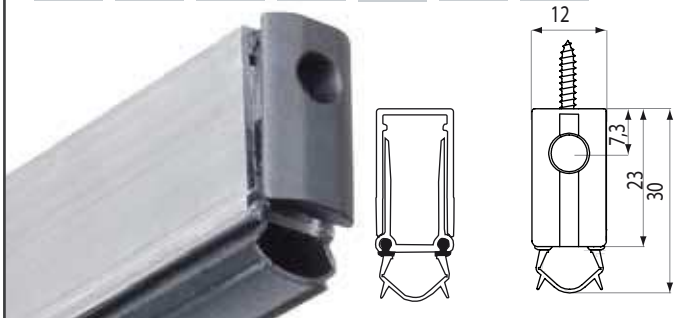
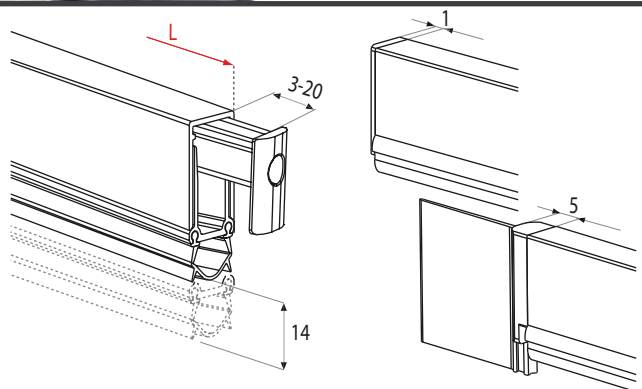
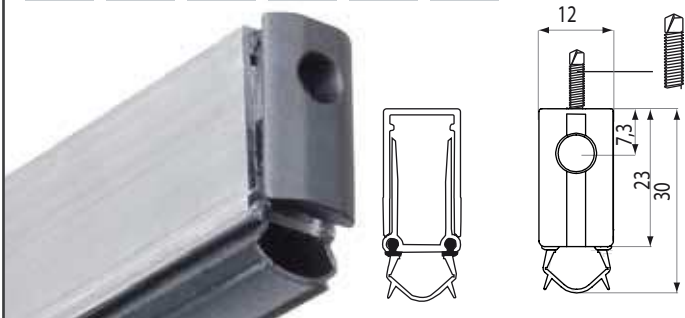


**DA7004**



**DA7004FR**



**Art.**

**L**



**Art.**

**L**



|            |      |           |
|------------|------|-----------|
| DA7004030  | 300  | max = 80  |
| DA7004040  | 400  | max = 180 |
| DA7004050  | 500  | max = 200 |
| DA7004060  | 600  | max = 200 |
| DA7004070  | 700  | max = 200 |
| DA7004070i | 700  | max = 200 |
| DA7004080  | 800  | max = 200 |
| DA7004080i | 800  | max = 200 |
| DA7004090  | 900  | max = 200 |
| DA7004090i | 900  | max = 200 |
| DA7004100  | 1000 | max = 200 |
| DA7004100i | 1000 | max = 200 |
| DA7004110  | 1100 | max = 200 |
| DA7004110i | 1100 | max = 200 |
| DA7004120  | 1200 | max = 200 |
| DA7004120i | 1200 | max = 200 |
| DA7004130  | 1300 | max = 200 |

|              |      |           |
|--------------|------|-----------|
| DA7004030FR  | 300  | max = 80  |
| DA7004040FR  | 400  | max = 180 |
| DA7004050FR  | 500  | max = 200 |
| DA7004060FR  | 600  | max = 200 |
| DA7004070FR  | 700  | max = 200 |
| DA7004070FRi | 700  | max = 200 |
| DA7004080FR  | 800  | max = 200 |
| DA7004080FRi | 800  | max = 200 |
| DA7004090FR  | 900  | max = 200 |
| DA7004090FRi | 900  | max = 200 |
| DA7004100FR  | 1000 | max = 200 |
| DA7004100FRi | 1000 | max = 200 |
| DA7004110FR  | 1100 | max = 200 |
| DA7004110FRi | 1100 | max = 200 |
| DA7004120FR  | 1200 | max = 200 |
| DA7004120FRi | 1200 | max = 200 |
| DA7004130FR  | 1300 | max = 200 |